

# CRYSTALITE SOLAR ATTIC FANS

*The Environmentally Sensible Solution that can SAVE you Money!*



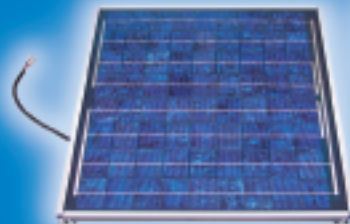
**Roof-mounted unit**  
(10, 20 or 30 watts)

*Attic venting is an important aspect in maintaining a healthy energy efficient home. Proper venting cools your roof extending the material life and reduces the load on your air conditioning system. Attic venting also increases fresh air circulation. Powered completely by free solar energy, this sleek and efficient vent is both compact and quiet. Fully operational right from the box, it installs easily, with no electrical wiring. And let's not forget powerful! Operating up to 850 cfms, a single 10 watt unit can fully vent up to 1,200 square feet. A 20 watt unit, operating up to 1,275 cfms can fully vent up to 2,000 square feet. And our NEW 30 watt units have an unmatched venting capacity of up to 2,500 square feet (up to 1,550 cfms).*



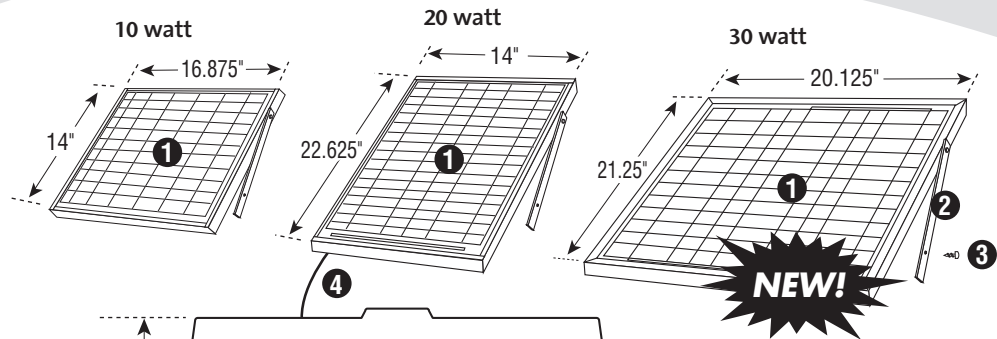
**Curb-mounted commercial unit**  
(20 or 30 watts)

**Gable-mounted unit**  
(10, 20 or 30 watts)



**BEST INDUSTRY WARRANTY:**  
25 YEARS ON THE HOUSING,  
SOLAR PANEL AND MOTOR

# Solar Attic Fan Technical Specifications



**NEW!**

**NOTE:** Exploded view of Solar Attic Fan is for illustrative purposes only. Unit comes fully assembled.

1. Custom Solar Panel (10, 20 or 30 watt available)\*
2. (2) Adjustable Solar Panel Bracket
3. (2) #8 x .75" Self-Tapping Screws
4. 18 Gauge Tinned Copper Wire Lead
5. 1100 Series, .080" Aircraft Grade Aluminum Shroud
6. Custom DC Motor
7. Motor Bracket Assembly
8. Air Driven Precision Pitch 5 Blade Fan
9. 3.25" x 48" Stainless Steel Wire Mesh
10. (4) Rugged 14 Gauge Shroud Support Bracket
11. 1100 Series, .080" Aircraft Grade Aluminum Flashing
12. (6) #6 x 1.5" Stainless Steel Phillips Head Screws

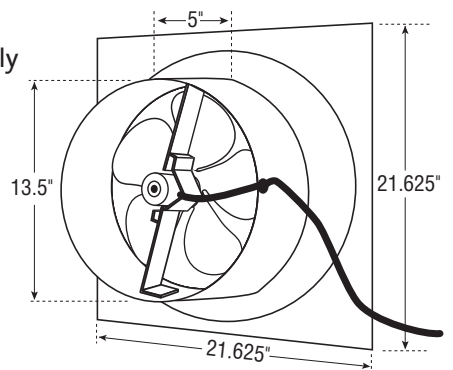
\*solar panel dimensions may vary slightly

**OPTIONAL ACCESSORY:**

Thermal Snap Switch available to automatically turnoff unit during colder months.

**SOLAR PANEL VENTING CAPACITY**

- 10 watts - up to 1,200 sf up to 850 CFMs
- 20 watts - up to 2,000 sf up to 1,275 CFMs
- 30 watts - up to 2,500 sf up to 1,550 CFMs



**GABLE MOUNTED UNIT**

