

## Introduction

**Before Installing:** Please take the time to read through the ENTIRE instructions prior to starting any work.

CrystaLite skylights are your clear choice for providing beneficial natural light in to your home or business. Due to the wide range of building types and applications, it is not the intent of this Installation Guide to neither cover all the variations nor specify supporting construction. It is highly recommended that an experienced roofing contractor be utilized to install your new CrystaLite skylight.

This installation guide will outline the general procedures of how to install a typical stock skylight, using 2” x lumber for the skylight curbs, while utilizing our CrystaLite Step Flashing on to a home with a sloped roof. These procedures are intended to be general guidelines and may be adapted to your specific installation needs.

CrystaLite Step Flashing Kits are an excellent product for most roof types; including shingle, shake, and composition roofing systems. Kits available for standard 4” and 6” high curbs with custom sizes available upon request.

### Installation Pointer:

When determining the location of the skylight, try to place it on the South side of the roof to maximize Sun exposure. Also consider any potential obstacles that may shade the skylight periodically throughout the day.

## Precautions

1. Ensure normal safety precautions are taken when using tools and when working on roofs.
2. Do not cut any trusses or structural members of the roof and/or ceiling.
3. Be sure that any wiring, plumbing, or ventilation ducts will not interfere with the skylight installation.
4. Measure twice and cut once.

## Required Tools

- Reciprocating Saw
- Measuring Tape
- Hammer
- Drill & Bits
- Drywall Saw
- Razor Knife
- Flat Bar
- Flashlight
- Caulking Gun
- Stud Finder
- Drop Cloth
- Ladders
- Marking Pen
- Tin Snips
- Extension ladder
- Safety glasses

## Materials Required



- CrystaLite Skylight
- CrystaLite Flashing Kit
- CrystaLite curb tape (typically provided with skylight)
- Screws or nails
- 2 x 4 or 2 x 6 lumber as required for skylight curb
- 2 x 4 lumber as required for interior skylight well construction
- Drywall board and insulation to finish skylight well as desired

### Save Your NFRC Label.

You will need to save your NFRC Label to receive any energy rebates / tax incentives that may be available.

Put it in a safe place, this label can not be reissued.

NFRC LABEL SAMPLE

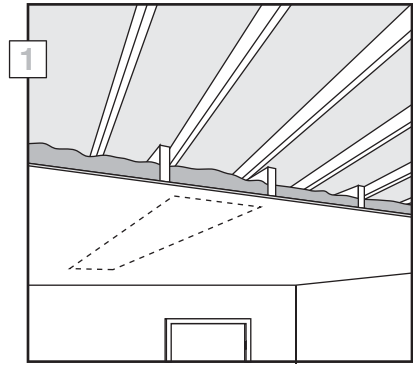
		 Skylites • Sunrooms • Railings Series 5830 - SKOP - CM CPDM CRY-M-2 Aluminum/Vinyl Frame Double Glaze • Argon Fill • Low E Product Type: Operable Skylight	
<b>ENERGY PERFORMANCE RATINGS</b>			
U-Factor (U.S./I-P)		Solar Heat Gain Coefficient	
<b>0.51</b>		<b>0.35</b>	
<b>ADDITIONAL PERFORMANCE RATINGS</b>			
Visible Transmittance		Condensation Resistance	
<b>0.62</b>		<b>57</b>	
<small>Manufacturer stipulates that these ratings conform to applicable NFRC procedures for determining whole product performance. NFRC ratings are determined for a fixed set of environmental conditions and a specific product size. NFRC does not recommend any product and does not warrant the suitability of any product for any specific use. Consult manufacturer's literature for other product information. www.nfrc.org</small>			

### STEP 1: Installation location

Determine approximately where you would like to have the bottom of the skylight opening to appear. The skylight opening is typically larger than the skylight unit itself, which helps disperse more light into the interior space.

Use a stud finder to locate the ceiling joists in which the skylight opening is to run between.

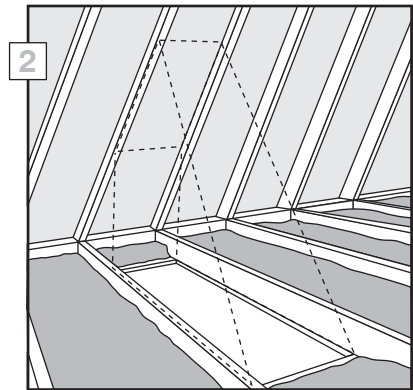
Be sure to double check for obstructions that might prevent the skylight opening to continue up through the roof from the ceiling below; such as rafter spacing, wiring, plumbing, and ventilation ducts.



### STEP 2: First cuts

Place the drop cloth on the floor under the desired skylight opening location. Using a drywall saw, cut out the desired size of the opening in the ceiling drywall.

**Caution:** There will be attic insulation that may drop from above. Wear safety glasses!

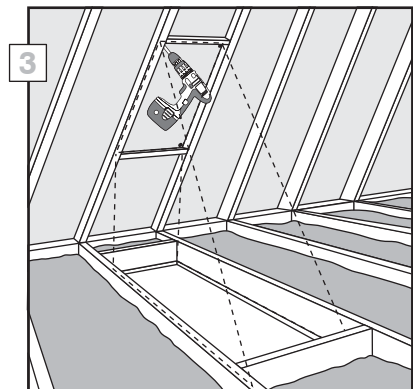


### STEP 3: Supporting structure.

Determine the size of skylight curb you will need to build based on the size skylight purchased. Refer to the skylight box or the chart below for outside curb dimensions.

Locate and mark the desired corner locations of the skylight opening, relative to the opening you just created. To do so, you will need to measure carefully using INSIDE curb dimensions (or day light opening). Using standard 2" x lumber, INSIDE curb dimensions will be 3" less than the listed OUTSIDE curb dimensions.

Using lumber of the same dimension as the rafter or trusses, frame across to connect the rafters which will be the support for the skylight curb. Form a squared rectangle to exact dimensions of INSIDE curb dimensions, measured from the inside of the lumber.



Use a long drill bit and/or extension rods to drill a hole up through the roof sheathing and roofing at each of the located corners. These will be reference points you will need to cut the rest of skylight opening from above.

### Skylight Models & Outside Curb Dimensions

MODEL	OUTSIDE CURB DIMENSION	MODEL	OUTSIDE CURB DIMENSION	MODEL	OUTSIDE CURB DIMENSION
1838	17½ x 37½	2698	25½ x 97½	3898	37½ x 97½
1850	17½ x 49½	3434	33½ x 33½	5050	49½ x 49½ ← 4 x 4
1874	17½ x 73½	3438	33½ x 37½	5062	49½ x 61½
2626	25½ x 25½ ← 2 x 2	3450	33½ x 49½	5074	49½ x 73½
2634	25½ x 33½	3474	33½ x 73½	5098	49½ x 97½
2638	25½ x 37½ ← 2 x 3	3838	37½ x 37½	6262	61½ x 61½
2650	25½ x 49½ ← 2 x 4	3850	37½ x 49½	7474	73½ x 73½
2662	25½ x 61½	3862	37½ x 61½	7498	73½ x 97½
2674	25½ x 73½ ← 2 x 6	3874	37½ x 73½	9898	97½ x 97½

mullion support required by other

### STEP 4: Cutting the roof opening.

From on top of the roof, find the holes you punched through from below. Draw a line connecting the outer edges of the holes to each other – effectively drawing your skylight opening. Confirm the size to be less than the OUTSIDE curb dimension.

With a reciprocating saw, cut along the lines you just drew. You should be cutting along the inside edge of frame you just completed from below, **take care not to cut through any framing members.**

### STEP 5: Cutting the roof material back.

With a circular saw, cut back existing roofing material only, another 2” around the perimeter of the skylight opening you just opened.

This will allow the skylight curb to set down on the roof sheathing and have an extra ½” for skylight step flashing installation.

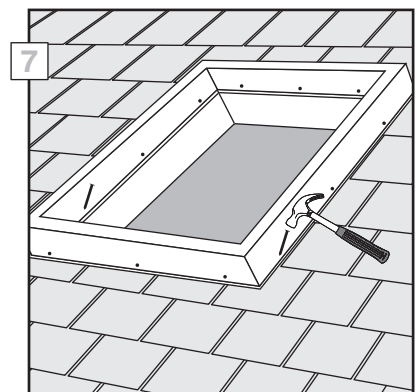
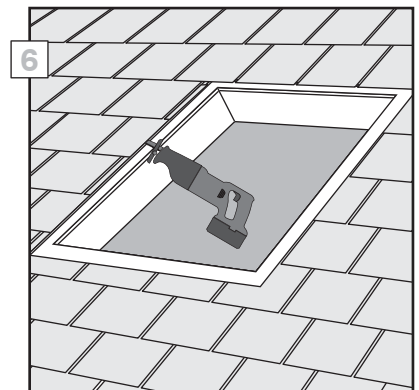
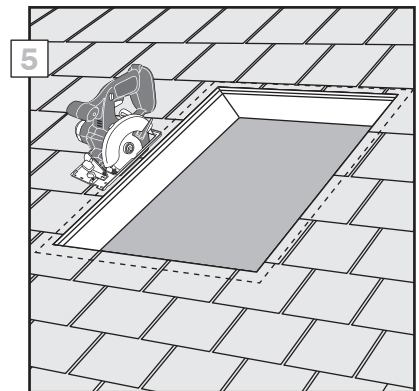
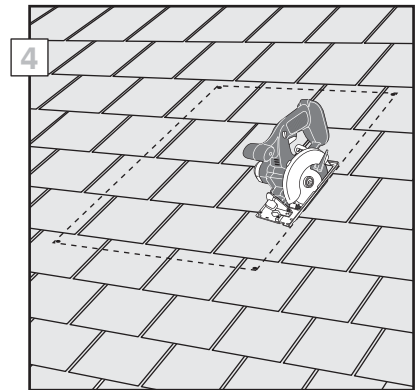
### STEP 6: Flashing preparation.

Use a long 12” metal blade with the reciprocation saw to cut under remaining roofing material along the perimeter of the skylight opening, to clear any nails that will prevent flashing from sliding under the roofing.

### STEP 7: Curb construction.

Using 2”x lumber on edge, construct the skylight curb to the exact OUTSIDE curb dimensions listed.

The skylight curb is typically fastened to the roof by toe-nailing fasteners to the roof surface along the inside and outside perimeters. Construction adhesive is recommended.



### STEP 8: Step flashing installation.

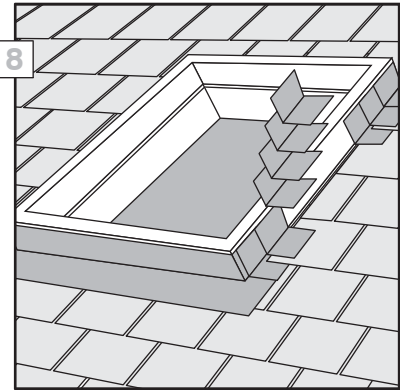
Install the tail flashing piece along the bottom of the skylight curb and over the top of the existing roofing material.

Install the step flashing pieces down both sides of the curb. Each step flashing piece needs to slide under the piece above, with an overlap of approximately 4 inches, while interleaving with roofing material.

The roofing material shall overlap the entire upper face of the head flashing piece.

Tack the flashing to the curb as necessary; as well as the upper corners of the deck facing in a manner that allows the next step piece to cover the fastener.

Trim any excess flashing that may extend above the skylight curb.



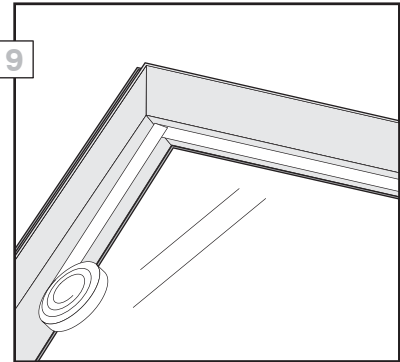
### STEP 9: Skylight installation.

Install the curb tape to the under side of the skylight frame.

Set the skylight over the top of the newly constructed and fully flashed skylight curb.

Press down firmly on the skylight while installing the skylight fasteners along the perimeter of the skylight; using the pre-drilled installation holes.

You should use all the fasteners provided, approximately one fastener every foot.

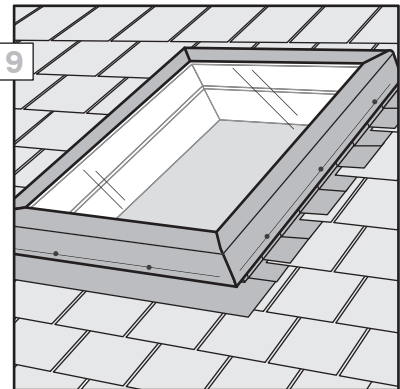


### STEP 10: Skylight well.

Continue to frame in the opening to the skylight opening of the ceiling – effectively creating a skylight well.

Skylight wells are typically insulated in the attic, and are finished on the inside with drywall and paint to match the interior room.

Painting your skylight well white will give you the best results in reflecting the most light.



### STEP 11: Do something nice for yourself.

You are done. Sit, relax, and enjoy the free natural light your new Crystalite skylight provides to your home for many years to come.

