

SKYLITES • SUNROOMS • RAILINGS

The CrystaLite Express Rail is specifically designed with quick easy installation in mind. Sections of railing are pre-fabricated at our manufacturing plant and then delivered ready to be installed. The Express Rail is ideal for use with multi-family constructions and do-it-yourself projects.

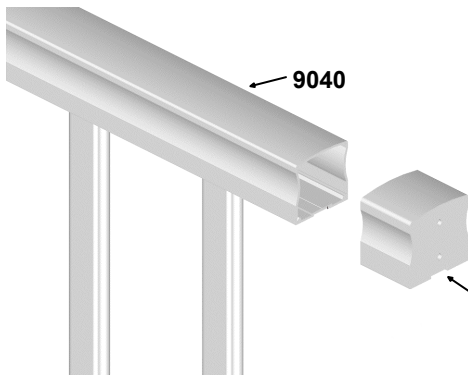
Features of Express Rail

- Pre-built rail spans from 2 ft to 12 ft in 1ft increments
- Easy installation with very little field labor
- Structurally engineered to meet or exceed the U.B.C
- Choice of standard or sculptured pickets(see below)
- 10 year manufacturer warranty
- Sturdy 6063-T6 aluminum alloy components
- Fade resistant enamel finish.

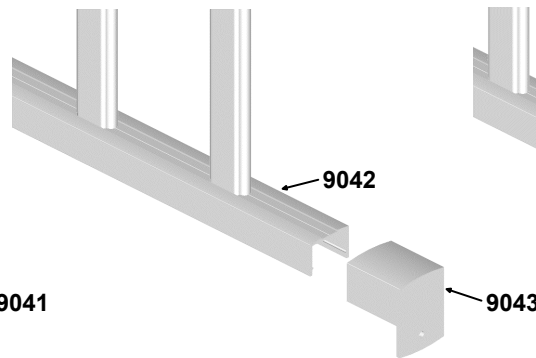
Stipulations of Express Rail

- Deck mount installations only
- Flat surfaces only, not for use on stairs
- Standard 36" or 42" heights
- Only available in standard white color
- Must use 9040 express top rail
- Pickets only, no glass panels
- Max spans determined by local codes

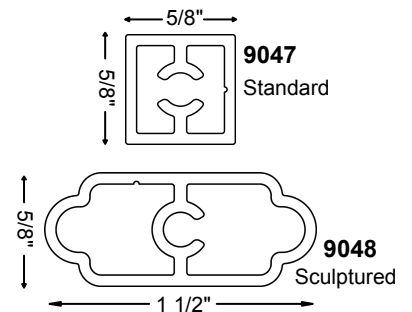
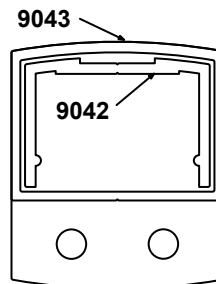
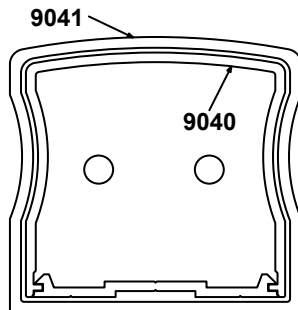
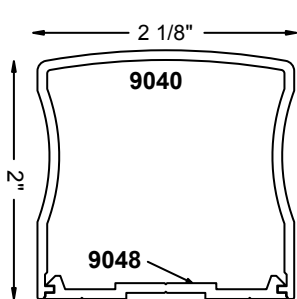
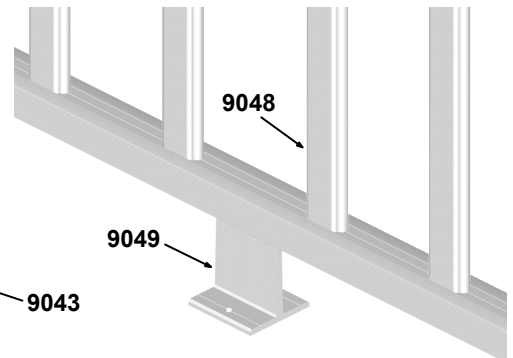
9040 top rail with 9041 bracket



9042 bottom rail with 9043 bracket



9042 bottom rail with 9049 support foot



NOTE: Basic kit comes with four brackets, support feet if needed, and a pre-built section of railing. The express rail is designed to attach to CrystaLite 9006 post or existing post or wall. Stock panels (2 ft to 12 ft in 1ft increments) are easily trimmed to fit your custom opening. Contact CrystaLite for a estimate on your project.