

Please use this install in conjunction with the Crystalite Tubular Skylight instructions to complete the entire installation.

1. Locate the desired placement for the ceiling diffuser to achieve the most light in the room, making sure that there are no obstructions in the attic or on the roof between the ceiling diffuser and roof flashing. Locate the center of the ceiling trusses or framing and tap nail to the center of the location where the unit will be installed. Attach a string to the end of the nail and to a pencil measuring 7.375" (see Figure 1). Scribe a circle on the ceiling and using a drywall saw, cut out 14.75" circle plug.

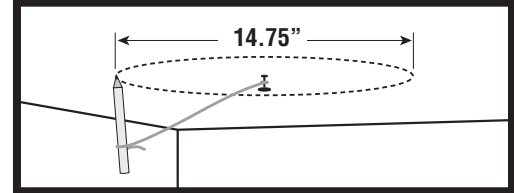


Figure 1

2. Install the decorative diffuser trim ring into the cowling (exhaust) with (2) self tapping screws (Figure 2). **NOTE:** Raw aluminum ceiling ring from Tubular Skylight kit is extra and not used in this install.

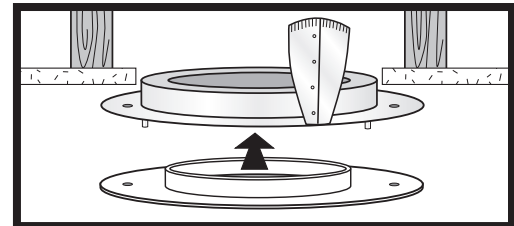


Figure 2

3. Install the large cowling (exhaust) into the ceiling directing the exhaust tube towards the where the fan motor will be installed. Secure unit with (4) speed nut anchors and screws provided (see Figure 3).

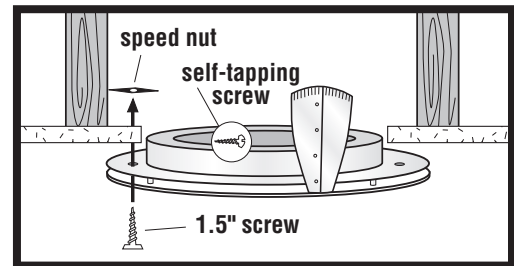


Figure 3

4. Install the decorative trim ring into the larger cowling until snug (see Figure 4) after light pipe has been install in the attic.

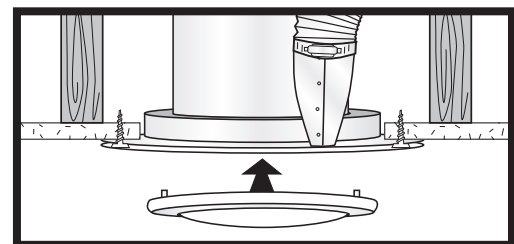


Figure 4

5. Install the fan motor in a suitable location as far away from the ceiling assembly as possible (approximately 3 to 4 feet) using the supplied noise reducing mounting bracket. Wire the fan motor according to your local or national electrical codes (see complete instruction inside motor box).

6. Install the 4" foil ducting from the SVFAN to the fan motor using 4" hose clamps on the motor and the supplied foil tape on the round exhaust tube coming off the cowling (see Figure 5).

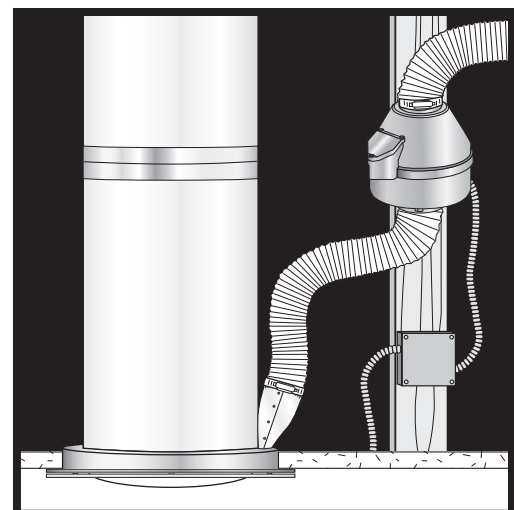


Figure 5

7. Install the 4" foil ducting from the fan motor output to a suitable location on the roof or side wall mounting(see Figure 6). Any existing roof vent port is OK.

8. Complete the installation of the Natural Light Tubular Skylight using the included installation instructions.

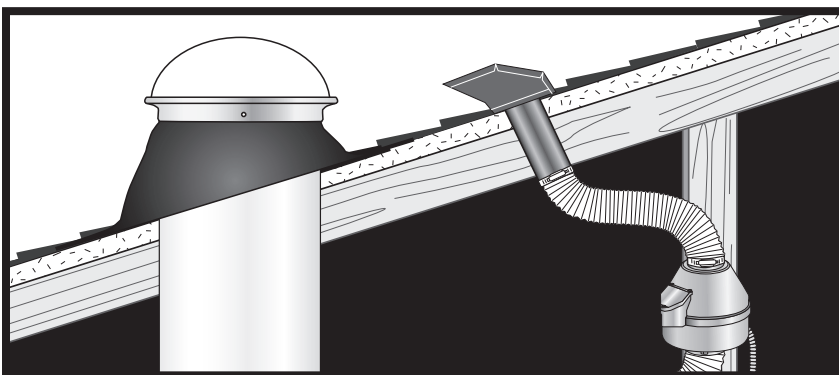


Figure 6