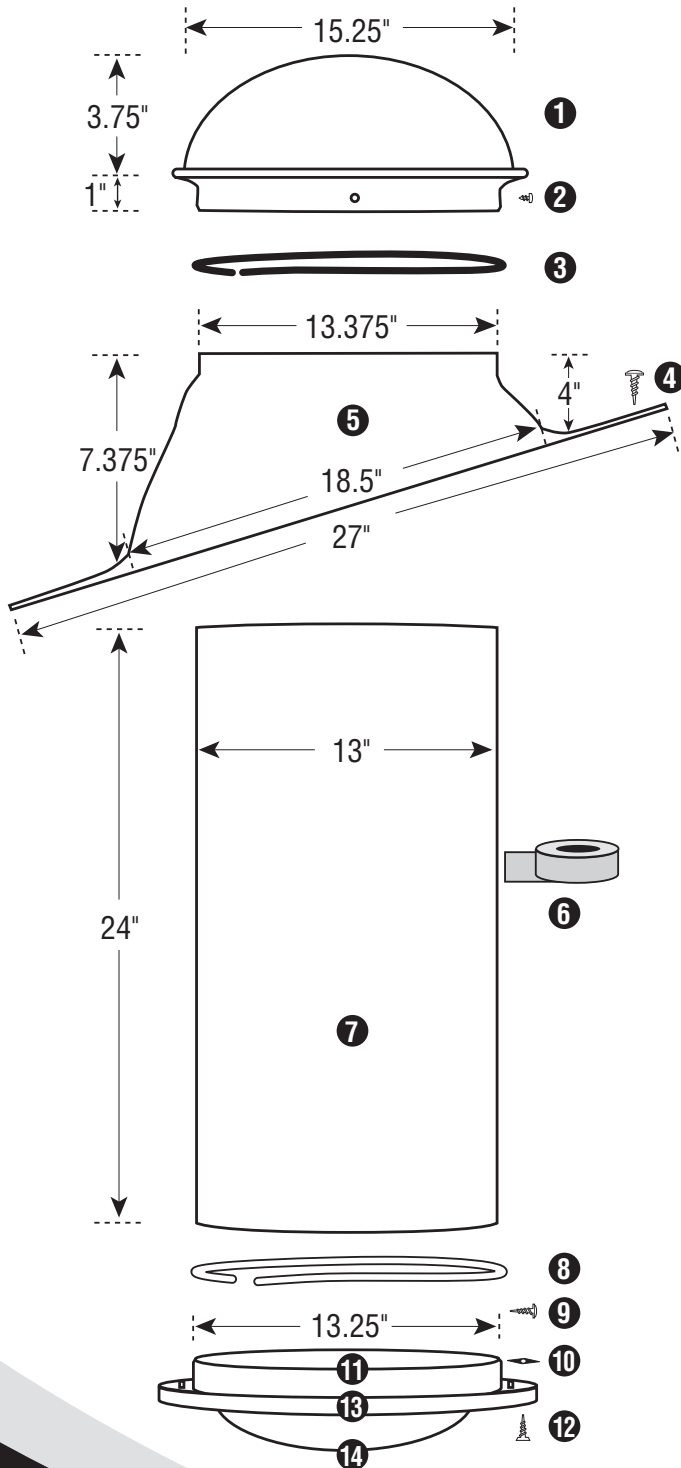


13" Tubular Skylight Technical Specifications



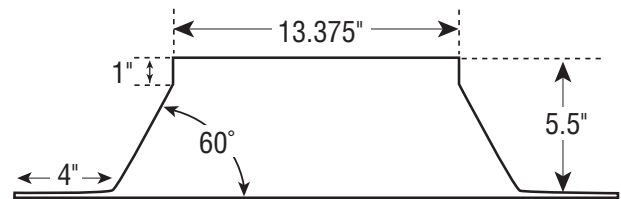
PITCHED ROOF FLASHING

1. Clear UV Protected, 100% High Impact Modified Acrylic Dome
2. (4) Philips Head Stainless Steel 1/4" Sheet Metal Screws
3. Black Nylon Horse Hair Gasket (Self-Adhesive Backed)
4. (6) Philip Head Stainless Steel 1 1/2" Screws
5. 1100 Series, .080" Thickness, Aircraft Grade Aluminum Flashing
6. Heavy Duty Foil Tape
7. Light Pipe, (2) 24" Sections per Kit
8. White Nylon Horse Hair Gasket (Self-adhesive Backed)
9. (6) Tek Screws
10. (3) Black Speed Nuts
11. Aluminum Ceiling Ring
12. (3) 1 1/2" Phillips Screws
13. White Powder Coated Aluminum Trim Ring
14. High Impact Acrylic Soft White or Prismatic Diffuser

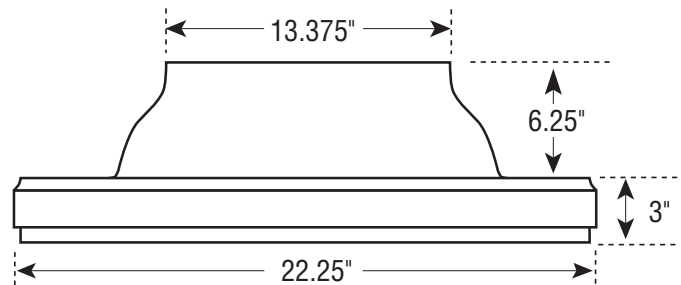
ICBO
Approved



COVERAGE AREA
up to 300 sq. ft.
WATTAGE OUTPUT EQUIVALENT
up to 500 watts
MAXIMUM TUBE LIGHT LENGTH
20 feet

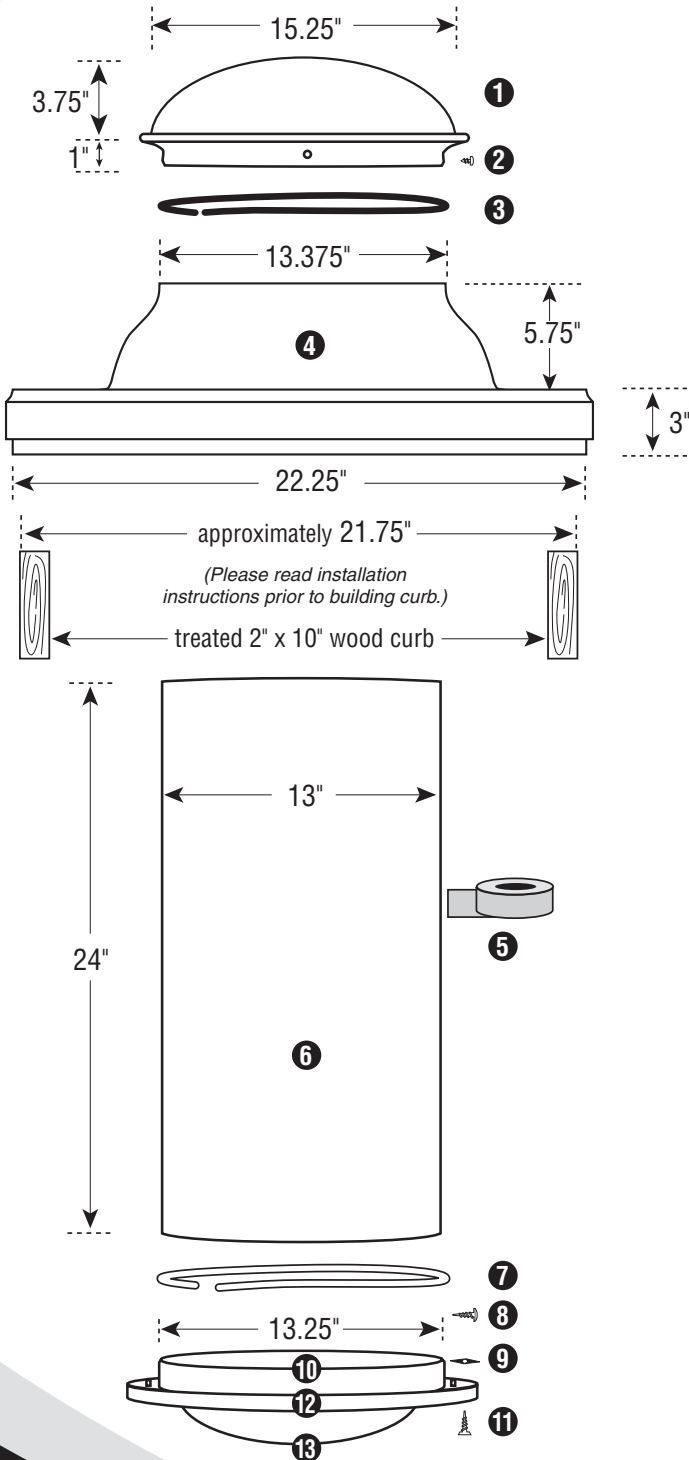


FLAT ROOF FLASHING



CURB-MOUNTED FLASHING

13" Tubular Skylight Technical Specifications



13" CURB-MOUNTED FLASHING

1. Clear UV Protected, 100% High Impact Modified Acrylic Dome
2. (4) Phillips Head Stainless Steel 1/4" Sheet Metal Screws
3. Black Nylon Horse Hair Gasket (Self-Adhesive Backed)
4. Commercial Pure Grade 1100 Series Aluminum Flashing
5. Heavy Duty Foil Tape
6. Light Pipe, (2) 24" Sections per Kit
7. White Nylon Horse Hair Gasket (Self-adhesive Backed)
8. (6) Tek Screws
9. (3) Black Speed Nuts
10. Aluminum Ceiling Ring
11. (3) 1 1/2" Phillips Screws
12. White Powder Coated Aluminum Trim Ring
13. High Impact Acrylic Soft White or Prismatic Diffuser

COVERAGE AREA

up to 300 sq. ft.

WATTAGE OUTPUT EQUIVALENT

up to 500 watts

MAXIMUM TUBE LIGHT LENGTH

20 feet

ICBO
Approved



OPTIONAL REMOTE CONTROLLED DIMMER

