

Revised Step 18

Addendum to include the new Energy Conservation Kit

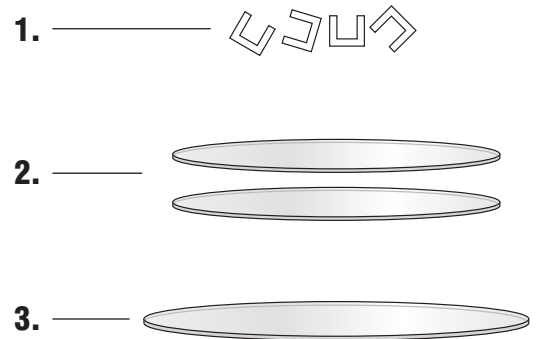
ADDITIONAL PARTS - Energy Conservation Kit:

1. (4) U-channel PVC tabs with double-sided high bonding tape
2. (2) Small clear polycarbonate lenses
3. (1) Large clear polycarbonate lens



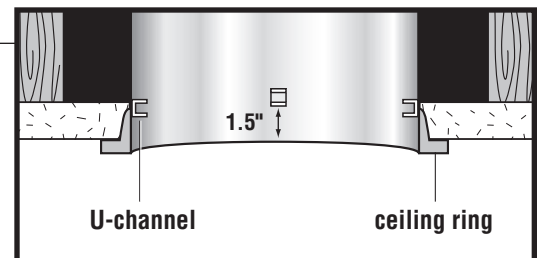
Precaution:

Light pipe material is very sharp when cut. Use protective gloves to avoid lacerations.



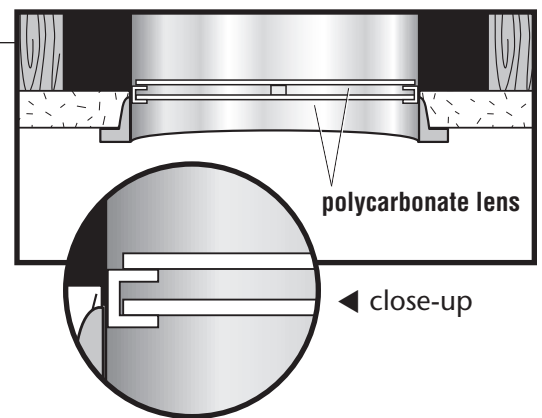
Step 18A

Remove the paper backing from the double-sided tape on the U-channels. Approximately 1 1/2" from the bottom of the light pipe, place the four U-channels equidistant from each other such that the legs of the U-channels are aligned vertically. (Place at the 12:00, 3:00, 6:00 and 9:00 o'clock positions.)



Step 18B

Peel the protective film from **BOTH SIDES** of the two small clear polycarbonate lenses. Place the first lens inside the light pipe on the **TOP** leg of the U-channel. Then place the second lens inside the U-channel by gently pushing upwards on the lens until the lens rests on the **BOTTOM** leg of all 4 U-channel tabs. (see close-up).



Step 18C

Place the diffuser into the white power coated trim ring. Peel the protective film from **BOTH SIDES** of the large clear polycarbonate lens and place on top of the diffuser.

(continue to step 19 of installation instructions)

