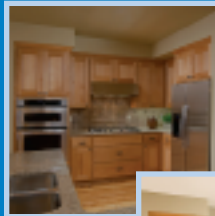
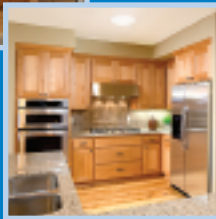




For about the cost of a nice light fixture, we can bring the soft light of the sun into virtually any space in your home. Installed on any roof surface in under two hours, you will quickly realize the cost benefits of a tubular skylight over incandescent and even traditional skylights. In addition to the free daytime operating cost, Crystalite tubular skylights do not contribute to heat loss or gain, unlike standard framed-in skylights.



before



after



FLAT ROOF FLASHING

LIGHT OUTPUT:	10" Model - up to 150 sf / 300 watts 13" Model - up to 300 sf / 500 watts 18" Model - up to 500 sf / 1,000 watts
FLASHING TYPES:	Pitched Roof Mount Flat Roof Mount Curb Mount (13" Model Only)
FLASHING COLORS:	Unpainted Aluminum Powder-Coated Black
DIFFUSER STYLES:	Prismatic (curved or flat) Soft White (curved or flat) SkyBrite (flat)
AVAILABLE ACCESSORIES:	Electric Light Kit Dimmer Kit (10" and 13" Models Only) Exhaust Vent Kit (10" Model Only) Additional Light Pipe Angle Adapter



CURB MOUNT FLASHING
13" Model only



PRISMATIC



SOFT WHITE



SKYBRITE



25 YEAR WARRANTY

ICC-ES LISTED • HURRICANE TESTED & APPROVED
FLORIDA BUILDING CODE APPROVED

10", 13" and 18" Tubular Skylight Technical Specifications

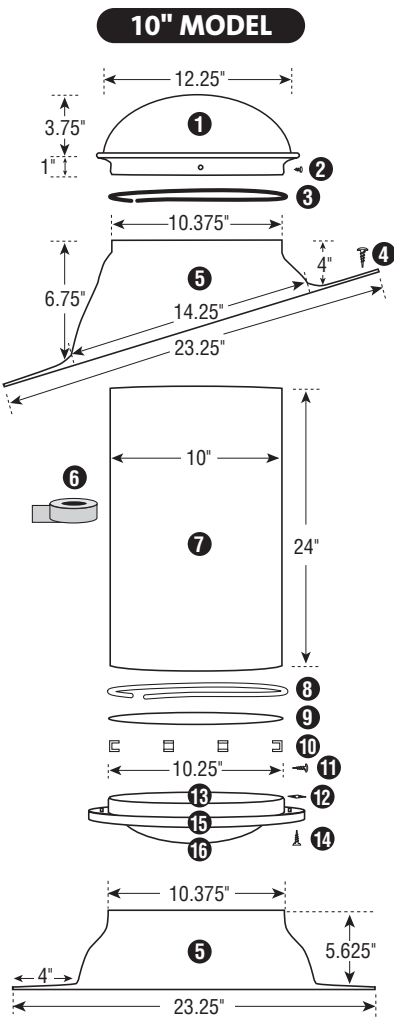
TUBULAR SKYLIGHT COMPONENTS:

1. Clear UV Protected, 100% High Impact Modified Acrylic Dome
2. (4) Phillips Head Stainless Steel 1/4" Sheet Metal Screws
3. Black Nylon Horse Hair Gasket (self-adhesive)
4. (6) Phillips Head Stainless Steel 1 1/2" Screws
5. Commercial Pure Grade, 1100 Series Aluminum Flashing
6. Heavy Duty Foil Tape
7. Light Pipe, (2) 24" Sections per Kit
8. White Nylon Horse Hair Gasket (self-adhesive)
9. (2) Small, (1) Large Polycarbonate Lenses - Energy Conservation Kit
10. (4) U-channel self-adhesive PVC Tabs (8 for 18" model)
11. (6) Tek Screws
12. (3) Black Speed Nuts
13. Aluminum Ceiling Ring
14. (3) 1 1/2" Phillips Head Screws
15. White Powder Coated Aluminum Trim Ring
16. Choice of Prismatic, Soft White or SkyBrite Diffuser

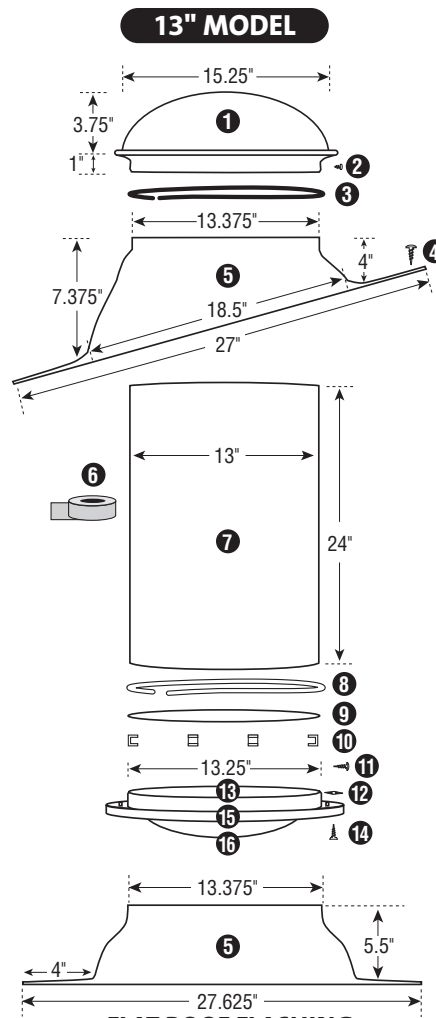


Model	Coverage	Wattage	Max Tube Length
10"	up to 150 sf	up to 300 watts	18 feet
13"	up to 300 sf	up to 500 watts	20 feet
18"	up to 500 sf	up to 1,000 watts	20 feet

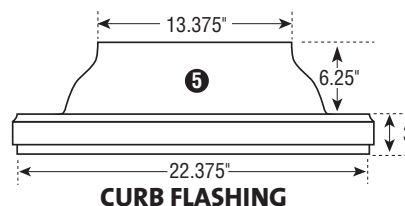
NOTE: 18" model used on homes with 24" on center construction.



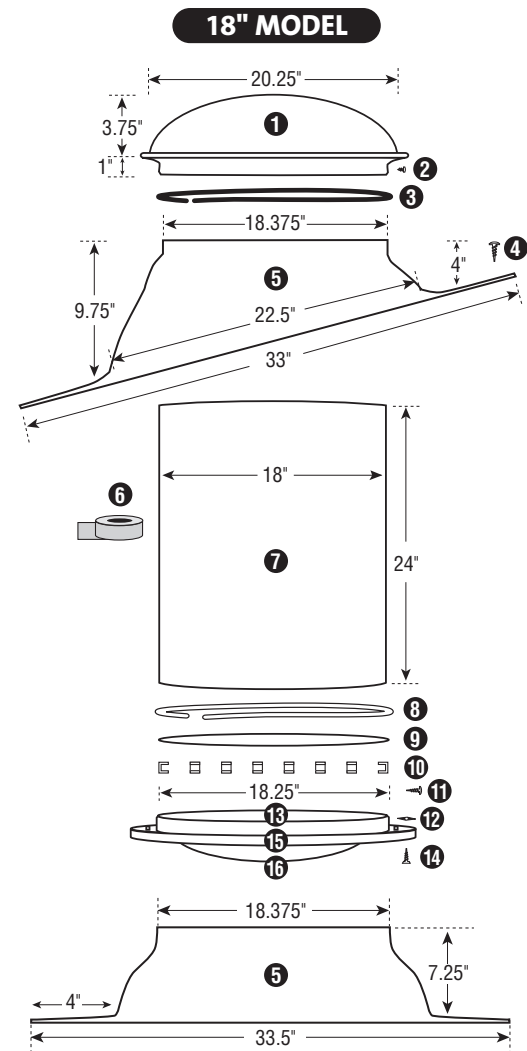
FLAT ROOF FLASHING



FLAT ROOF FLASHING



CURB FLASHING



FLAT ROOF FLASHING



For more info, visit:
www.crystaliteinc.com