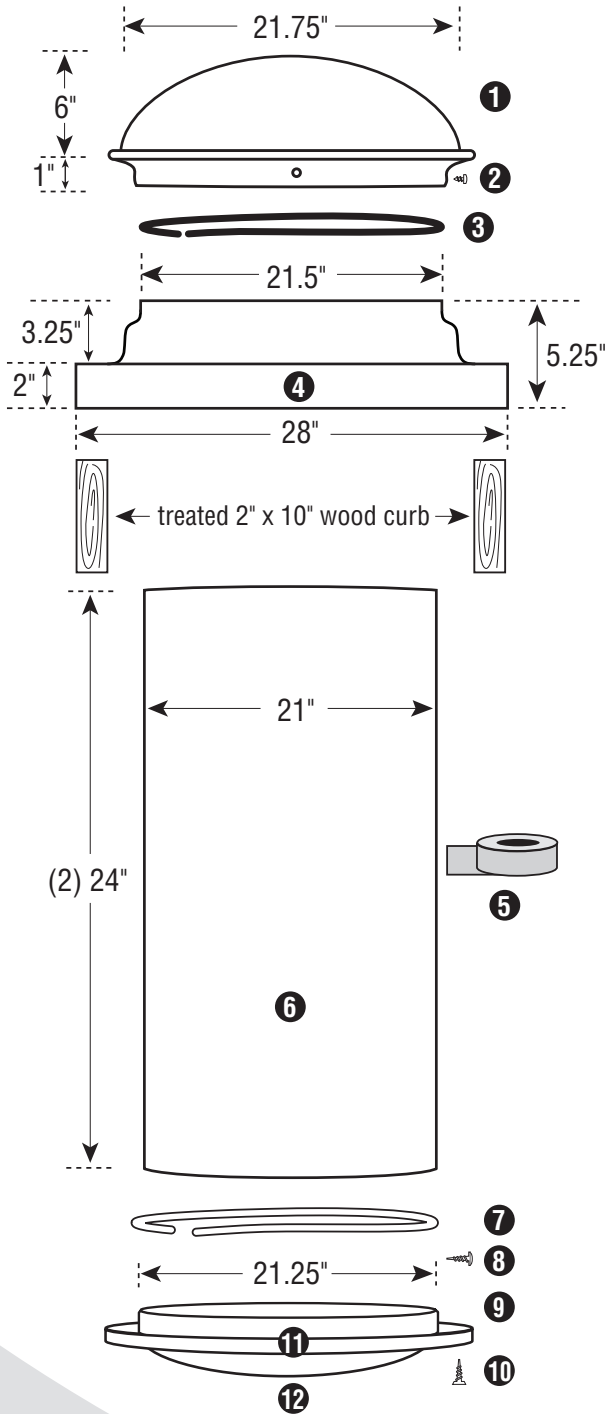


21" Curb Tubular Skylight Technical Specifications



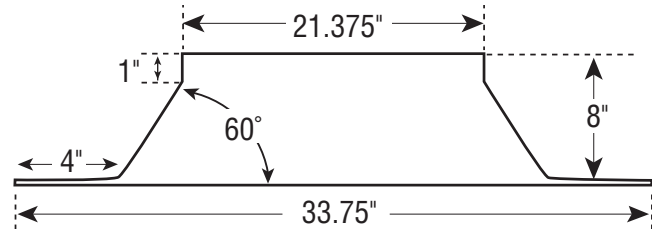
21" CURB-MOUNTED FLASHING

1. Clear UV Protected, 100% High Impact Modified Acrylic Dome
2. (4) Philips Head Stainless Steel 1/4" Sheet Metal Screws
3. Black Nylon Horse Hair Gasket (Self-Adhesive Backed)
4. Commercial Pure Grade 1100 Series Aluminum Flashing
5. Heavy Duty Foil Tape
6. Light Pipe, (2) 24" Sections per Kit
7. White Nylon Horse Hair Gasket (Self-adhesive Backed)
8. (6) Tek Screws
9. (3) Black Speed Nuts
10. (3) 1 1/2" Phillips Screws
11. White Powder Coated Aluminum Trim Ring/Ceiling Ring
12. High Impact Acrylic Soft White or Prismatic Diffuser

COVERAGE AREA - up to 700 sq. ft.
WATTAGE OUTPUT EQUIVALENT - up to 1450 watts
MAXIMUM TUBE LIGHT LENGTH - 20 feet

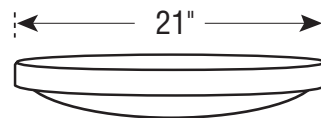


21" FLAT ROOF FLASHING



WAREHOUSE 21" TRIM RING

for suspended installations in open ceilings



TRANSITION BOX

for drop ceiling installations

