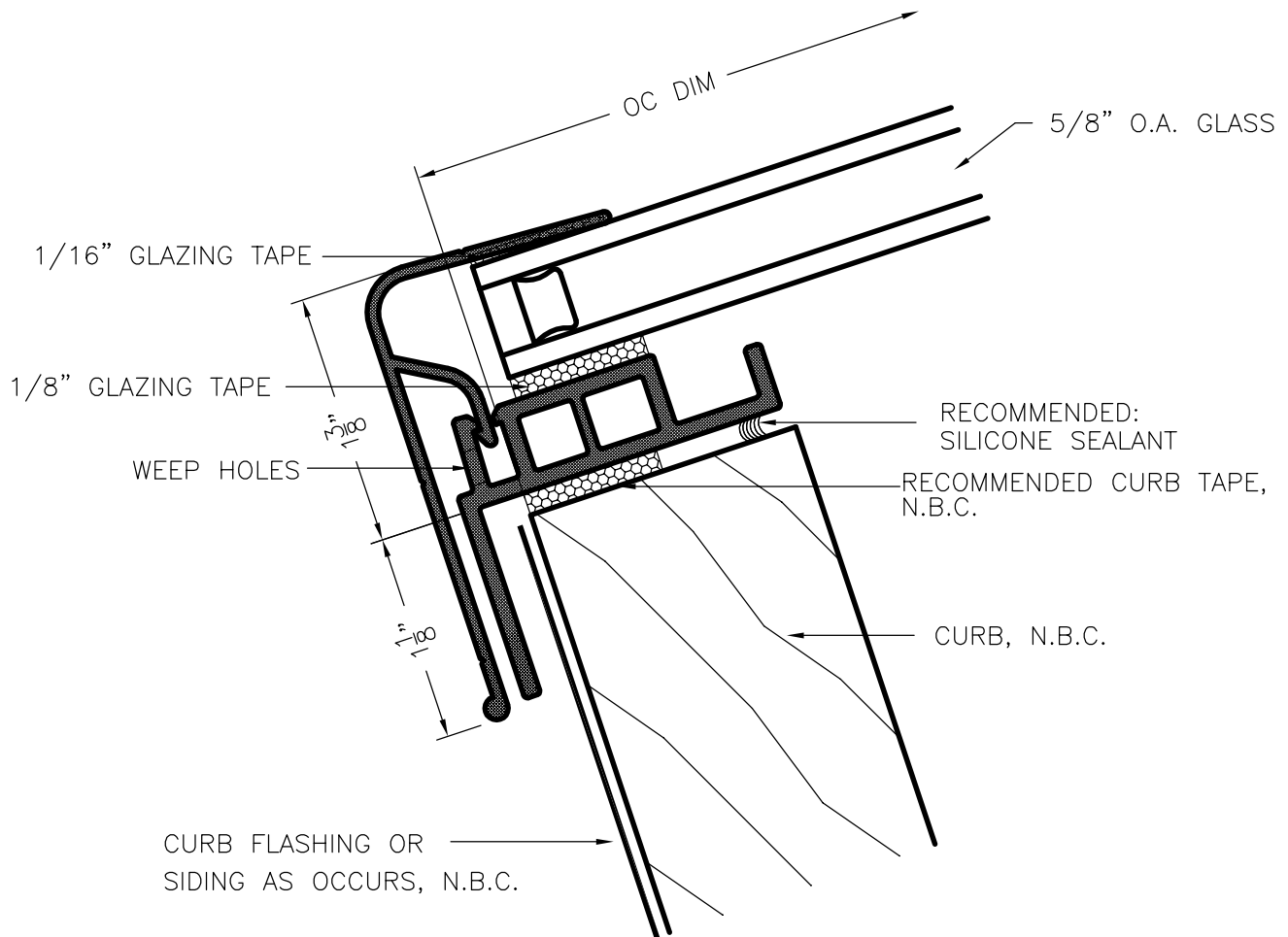


**SERIES  
5843**



GENERIC GLAZING DETAILS.  
ACTUAL DESIGN AND MAKE-UP VARY AS REQUIRED.



## Glass Unit w/ 90° Curb

NAMI certified and rated by NFRC for thermal performance; and certified in accordance to the NAFS Standard [AAMA/WDMA/CSA 101/1.S.2/A440] for air infiltration, water penetration and structural loading – as required by the IBC; commonly referred to as 'AAMA Testing.'