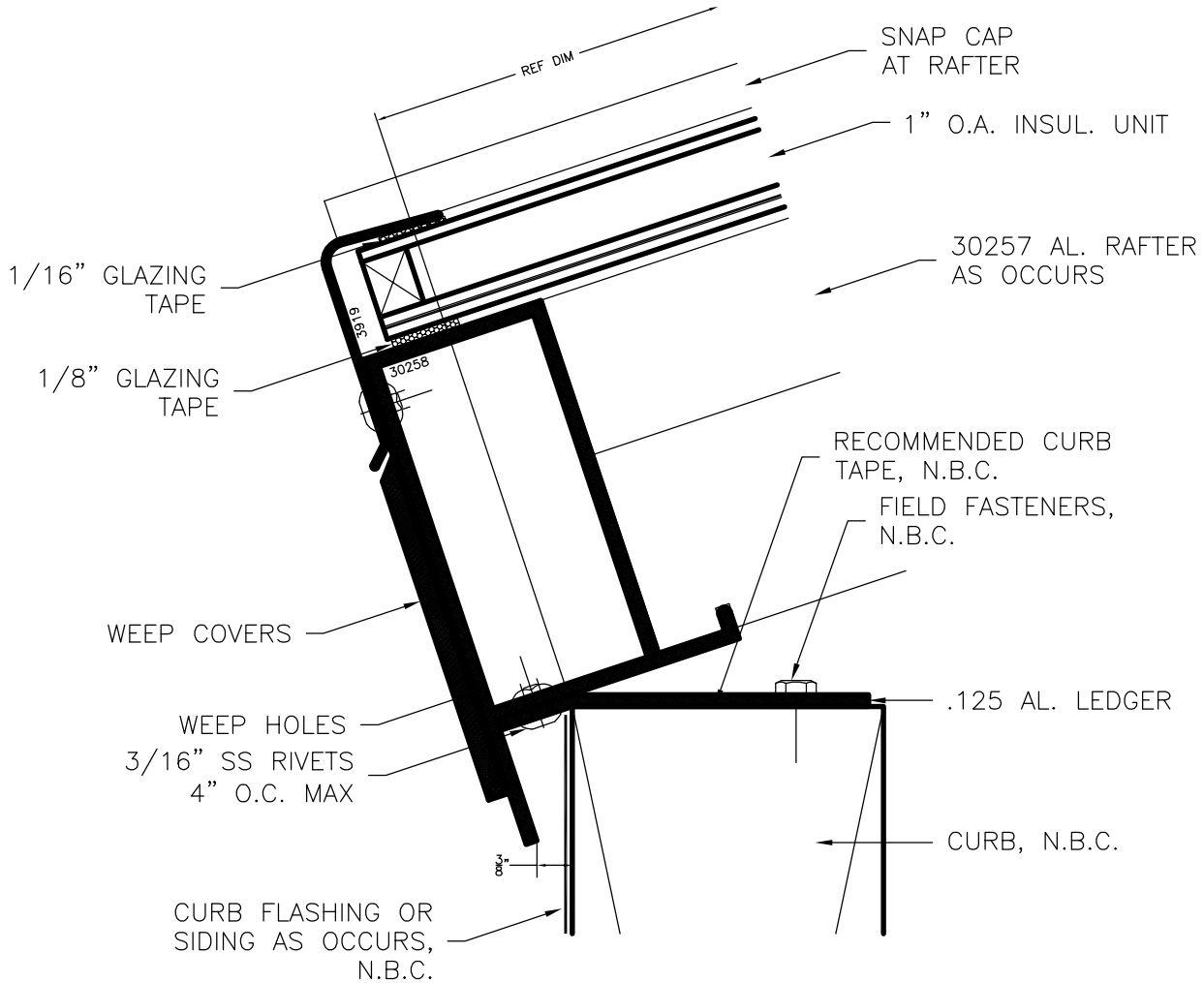
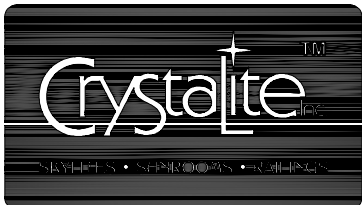
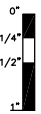


**SERIES
30258**



GENERIC GLAZING DETAILS.
ACTUAL DESIGN AND MAKE-UP VARY AS REQUIRED.

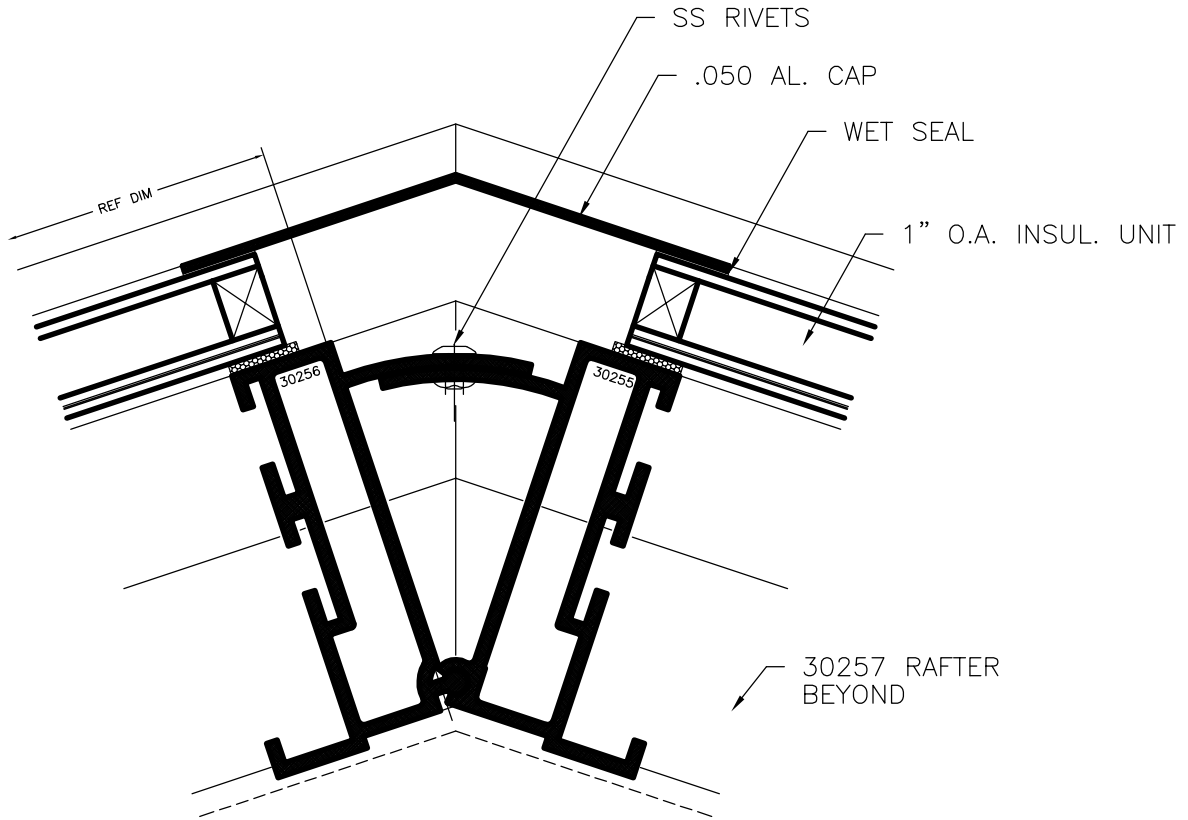
HALF SCALE



30258 Sill w/ Plumb Flat Curb

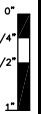
NAMI certified and rated by NFRC for thermal performance. Compliant to International Building Code; structural deflection limited to L/175 per ASTM E 330, air infiltration tested per ASTM E 283 at 6.24 psf, water penetration tested per ASTM E 331 at 30.00 psf.

**SERIES
30258**



GENERIC GLAZING DETAILS.
ACTUAL DESIGN AND MAKE-UP VARY AS REQUIRED.

HALF SCALE



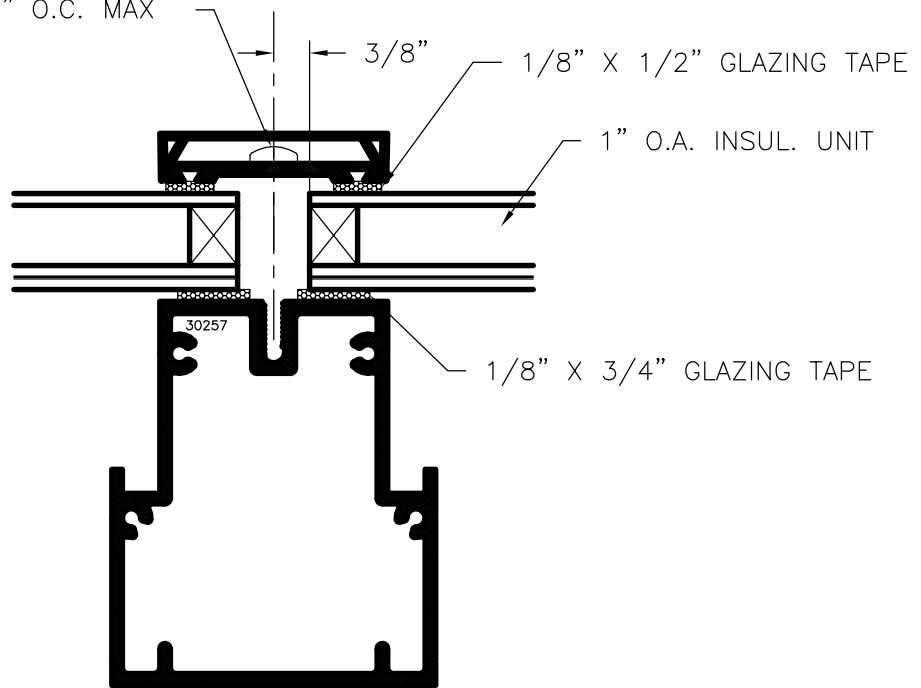
Crystalite
TM

30255 & 30256 Ridge

NAMI certified and rated by NFRC for thermal performance. Compliant to International Building Code; structural deflection limited to L/175 per ASTM E 330, air infiltration tested per ASTM E 283 at 6.24 psf, water penetration tested per ASTM E 331 at 30.00 psf.

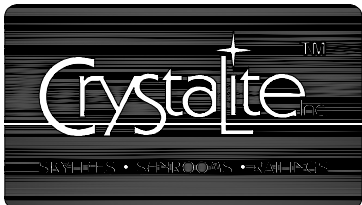
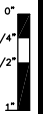
**SERIES
30258**

1/4-20 PH MS SS @ 11" O.C. MAX



GENERIC GLAZING DETAILS.
ACTUAL DESIGN AND MAKE-UP VARY AS REQUIRED.

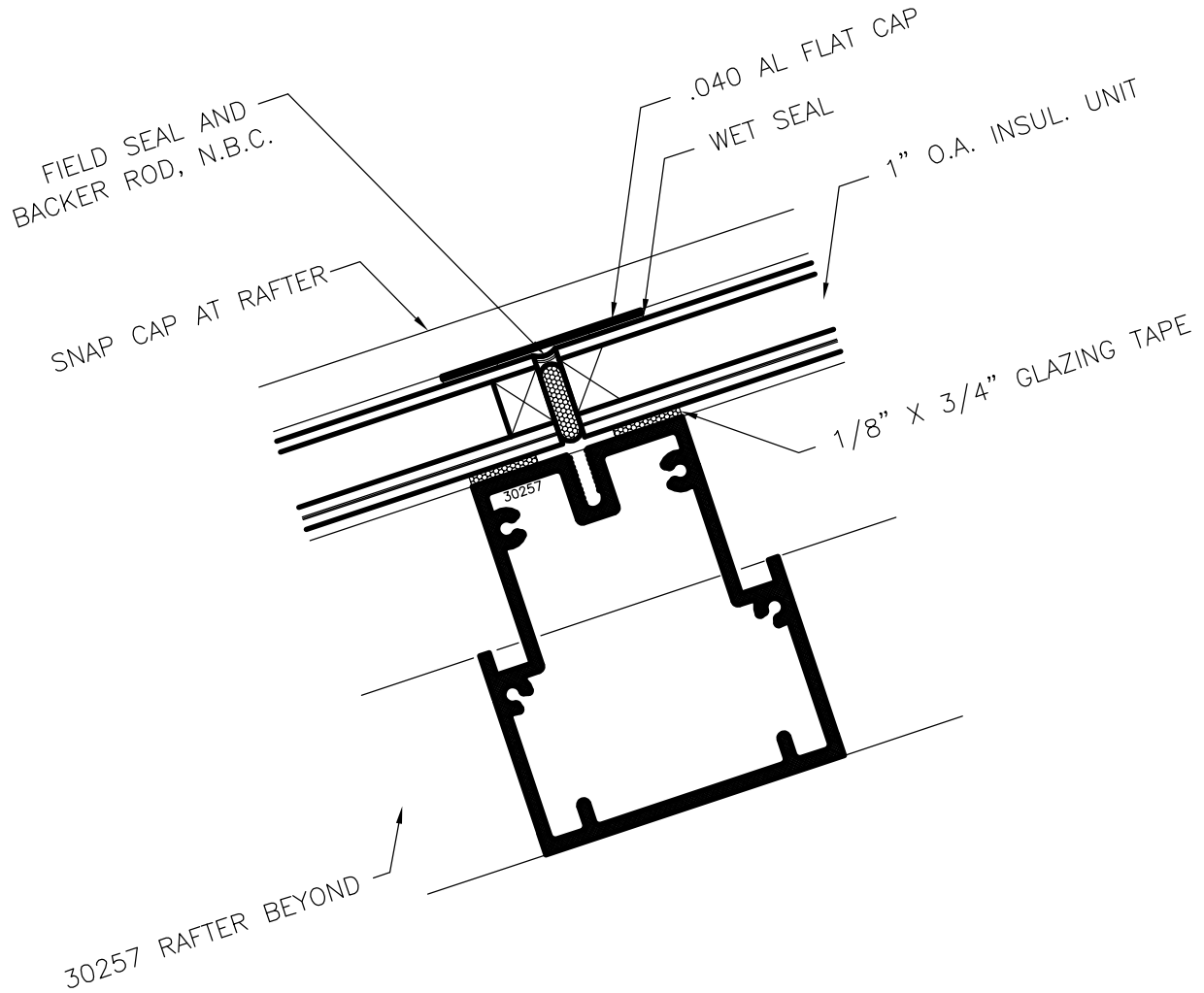
HALF SCALE



30257 Rafter

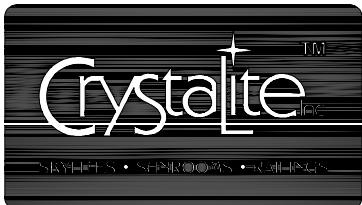
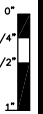
NAMI certified and rated by NFRC for thermal performance. Compliant to International Building Code; structural deflection limited to L/175 per ASTM E 330, air infiltration tested per ASTM E 283 at 6.24 psf, water penetration tested per ASTM E 331 at 30.00 psf.

SERIES
30258



GENERIC GLAZING DETAILS.
ACTUAL DESIGN AND MAKE-UP VARY AS REQUIRED.

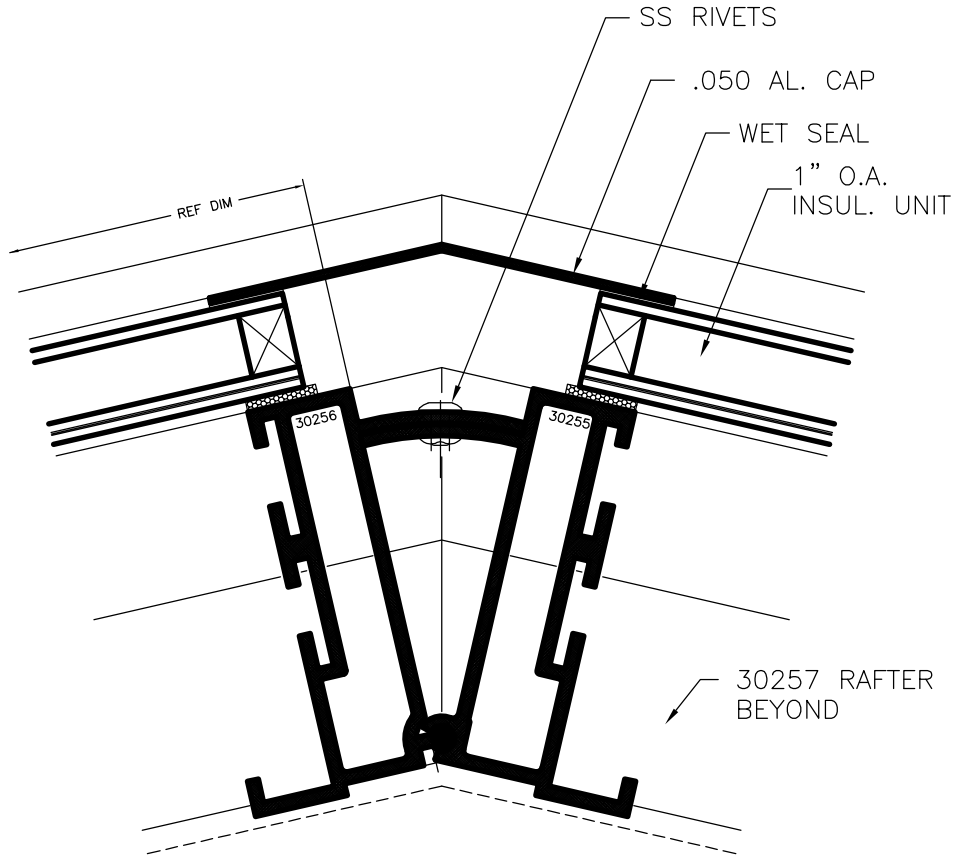
HALF SCALE



30257 Horizontal Muntin

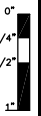
NAMI certified and rated by NFRC for thermal performance. Compliant to International Building Code; structural deflection limited to L/175 per ASTM E 330, air infiltration tested per ASTM E 283 at 6.24 psf, water penetration tested per ASTM E 331 at 30.00 psf.

SERIES
30258



GENERIC GLAZING DETAILS.
ACTUAL DESIGN AND MAKE-UP VARY AS REQUIRED.

HALF SCALE

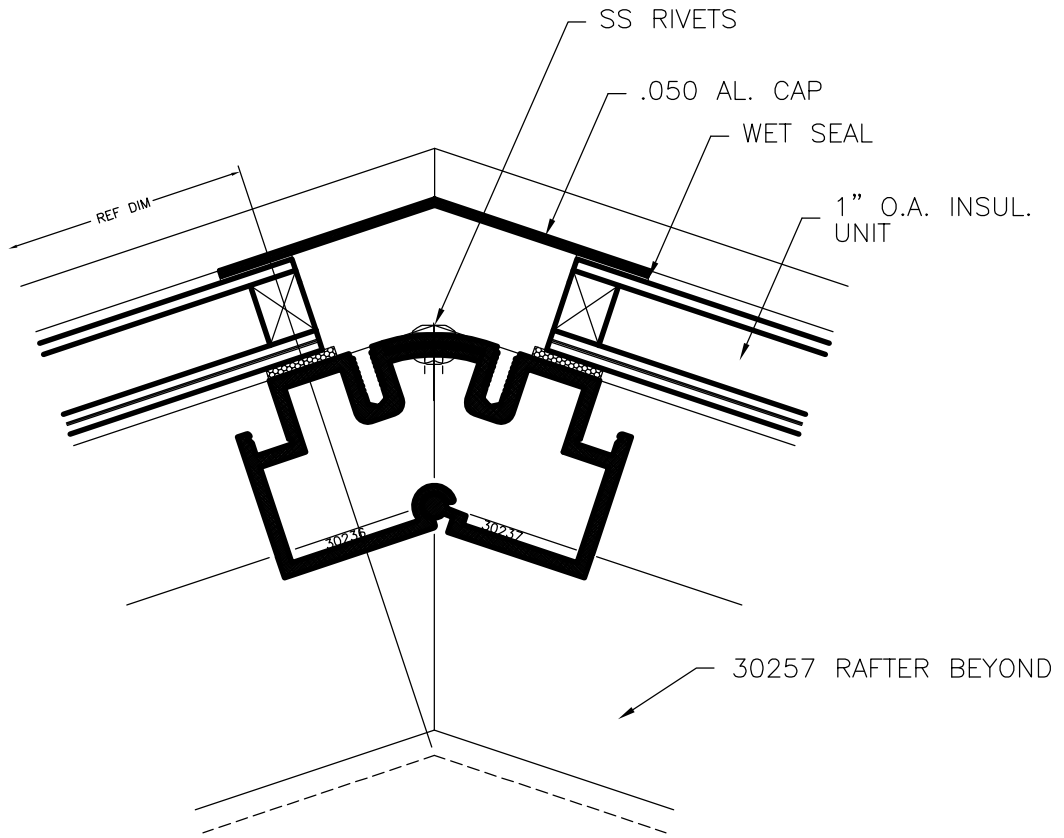


Crystalite™

30255 & 30256 Hip

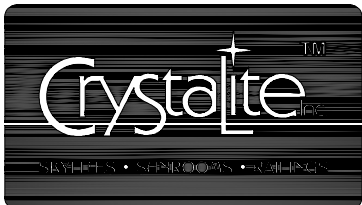
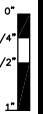
NAMI certified and rated by NFRC for thermal performance. Compliant to International Building Code; structural deflection limited to L/175 per ASTM E 330, air infiltration tested per ASTM E 283 at 6.24 psf, water penetration tested per ASTM E 331 at 30.00 psf.

**SERIES
30258**



GENERIC GLAZING DETAILS.
ACTUAL DESIGN AND MAKE-UP VARY AS REQUIRED.

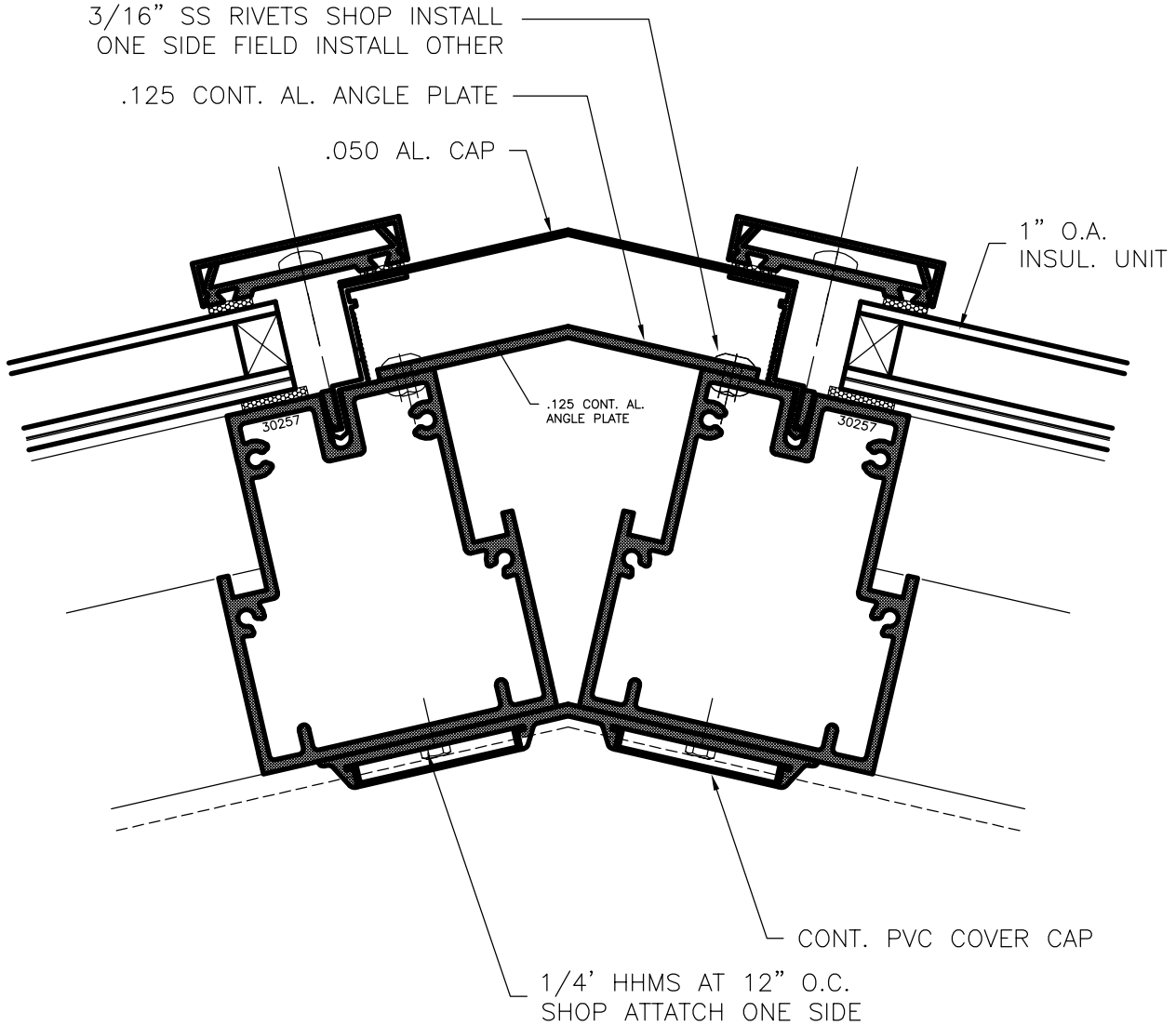
HALF SCALE



30236 & 30237 Ridge

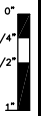
NAMI certified and rated by NFRC for thermal performance. Compliant to International Building Code; structural deflection limited to L/175 per ASTM E 330, air infiltration tested per ASTM E 283 at 6.24 psf, water penetration tested per ASTM E 331 at 30.00 psf.

**SERIES
30258**



GENERIC GLAZING DETAILS.
ACTUAL DESIGN AND MAKE-UP VARY AS REQUIRED.

HALF SCALE



Crystalite
TM
SKYLIGHTS • SEPERATORS • RAILINGS

30257 Hip

NAMI certified and rated by NFRC for thermal performance. Compliant to International Building Code; structural deflection limited to L/175 per ASTM E 330, air infiltration tested per ASTM E 283 at 6.24 psf, water penetration tested per ASTM E 331 at 30.00 psf.