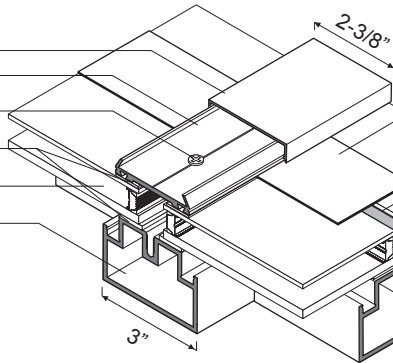


Details shown below are graphical representations only. For accurately scaled and dimensioned details, please visit www.CrystalLiteInc.com.

RAFTER

- Snap Cap
- Pressure Bar
- 1/4"-20 PH SS MS
- Glazing Tape
- Insulated Glass
- 4839 Rafter Bar

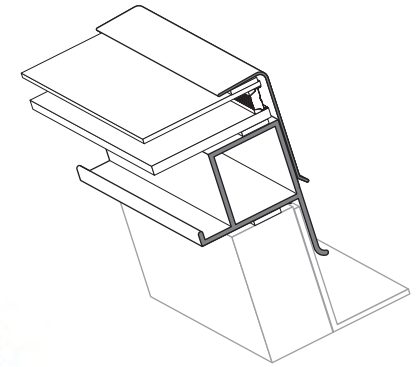


MUNTIN

- 0.050" Aluminum Flat Cap
- Field Silicone Butt-Seal
- Backer Rod
- Insulated Glass
- Wet Seal
- 4839 Rafter Bar

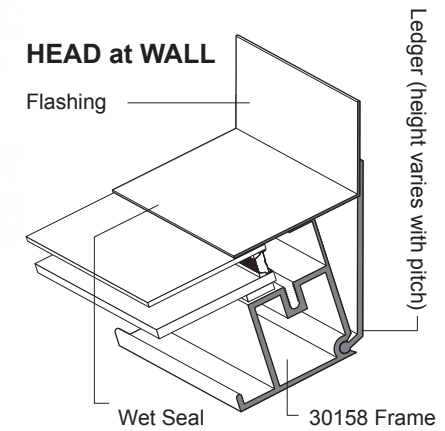
HEAD

- Perimeter Cap
- Insulated Glass
- Glazing Tape
- 4843 Frame
- Curb Tape



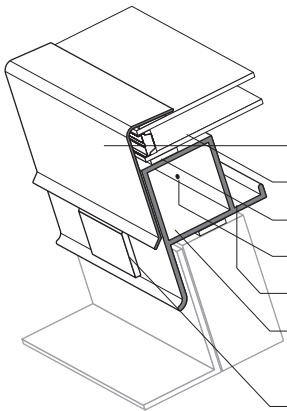
HEAD at WALL

- Flashing
- Wet Seal
- 30158 Frame
- Ledger (height varies with pitch)



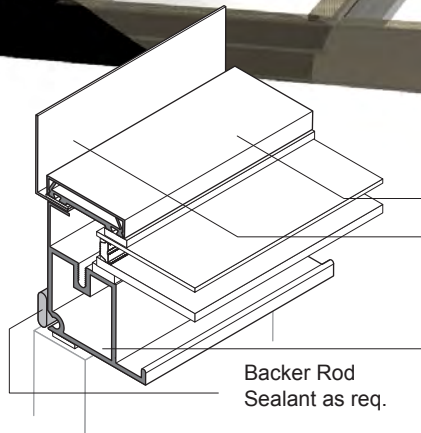
SILL

- Perimeter Cap
- Insulated Glass
- Glazing Tape
- Weep Holes
- Condensation Gutter
- 4843 Frame
- Curb Tape
- Weep Cover
- Curb by Other
- Flashing by Other



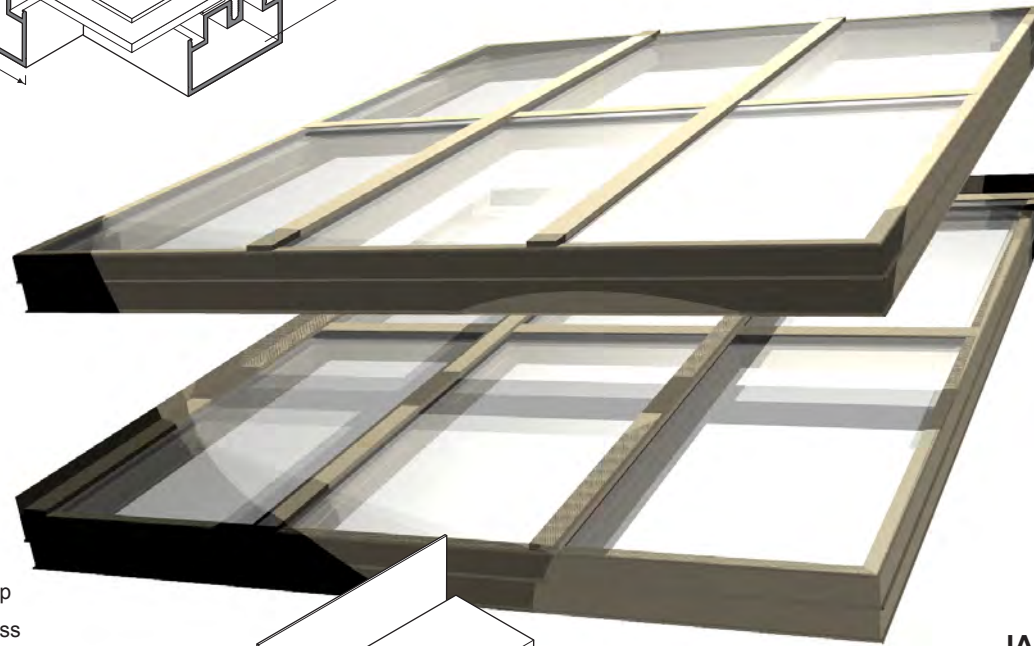
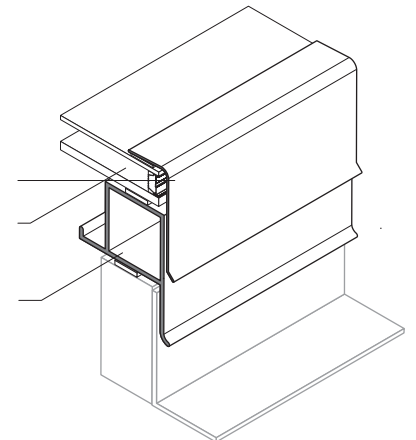
JAMB at WALL

- Snap Cap / Press. Bar
- Flashing
- Insulated Glass
- Glazing Tape
- 30158 Frame
- Curb Tape
- Backer Rod
- Sealant as req.



JAMB

- Perimeter Cap
- Insulated Glass
- Glazing Tape
- 4843 Frame
- Curb Tape
- Curb by Other
- Flashing by Other



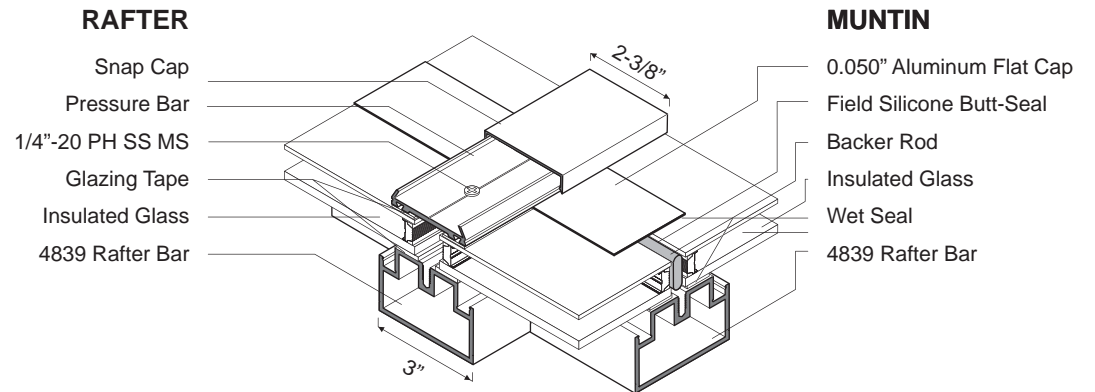
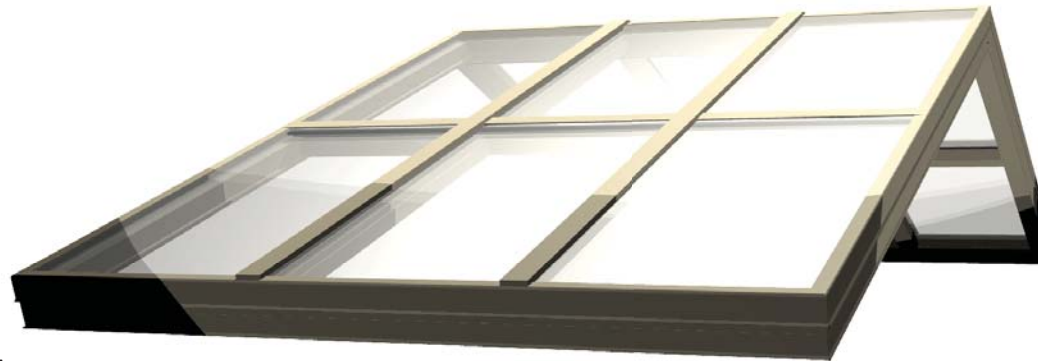
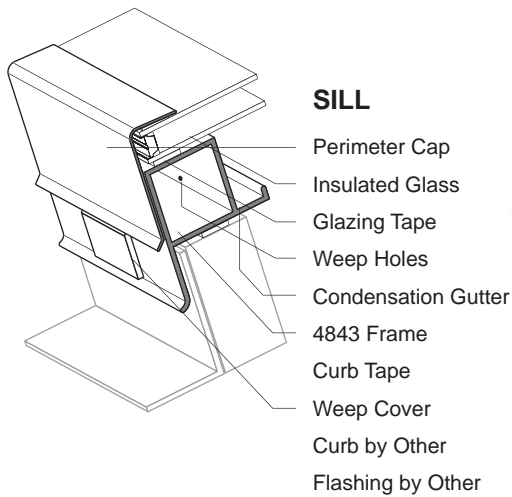
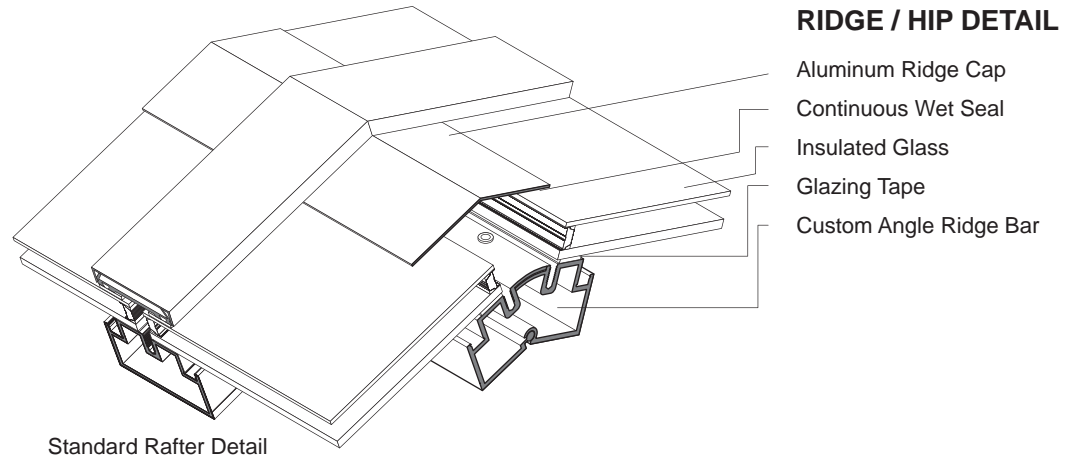
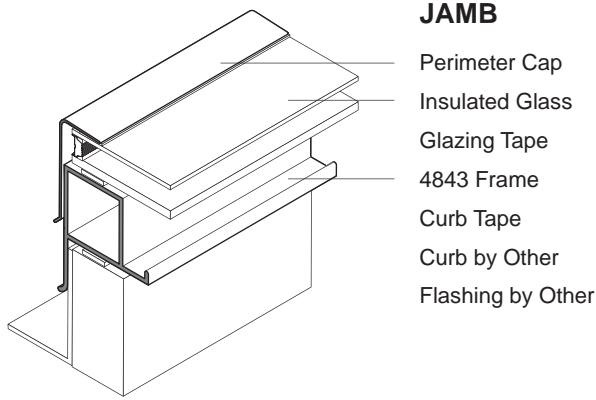
4843 Medium Frame

Welded Aluminum Skylight System

STANDARD DETAILS

NAMI certified and rated by NFRC for thermal performance. Compliant to International Building Code; structural deflection limited to L/175 per ASTM E 330, air infiltration per ASTM E 283 at 6.24 psf, water penetration per ASTM E 331 at 30 psf.

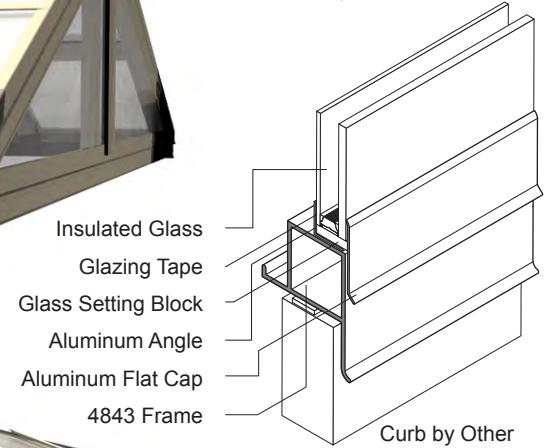
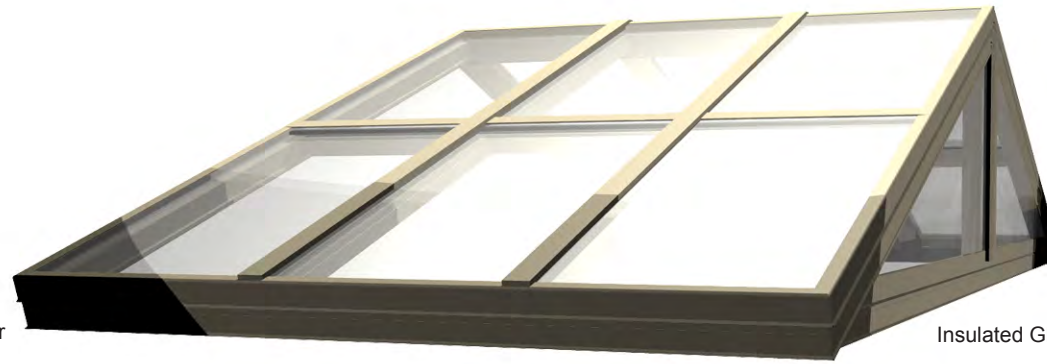
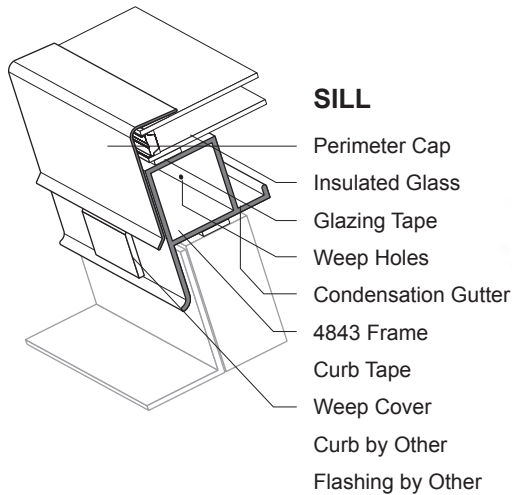
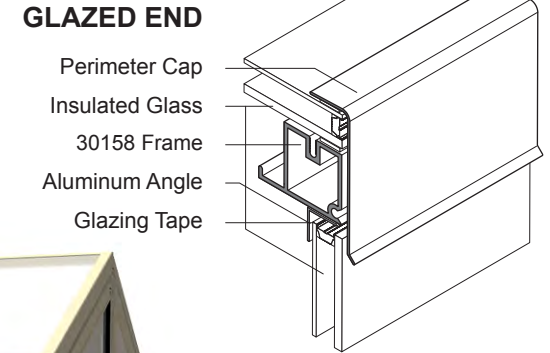
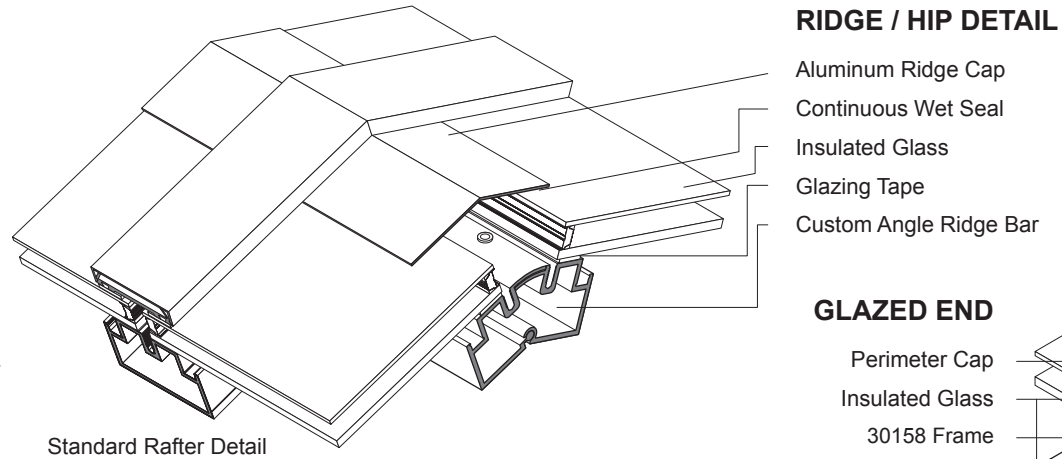
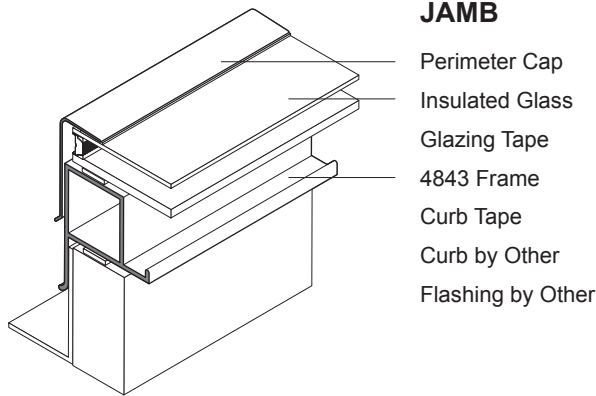
Details shown below are graphical representations only. For accurately scaled and dimensioned details, please visit www.CrystalLiteInc.com.



4843 Medium Frame
Welded Aluminum Skylight System
RIDGE DETAILS

NAMI certified and rated by NFRC for thermal performance. Compliant to International Building Code; structural deflection limited to L/175 per ASTM E 330, air infiltration per ASTM E 283 at 6.24 psf, water penetration per ASTM E 331 at 30 psf.

Details shown below are graphical representations only. For accurately scaled and dimensioned details, please visit www.CrystalLiteInc.com.



4843 Medium Frame
Welded Aluminum Skylight System

RIDGE DETAILS

NAMI certified and rated by NFRC for thermal performance. Compliant to International Building Code; structural deflection limited to L/175 per ASTM E 330, air infiltration per ASTM E 283 at 6.24 psf, water penetration per ASTM E 331 at 30 psf.