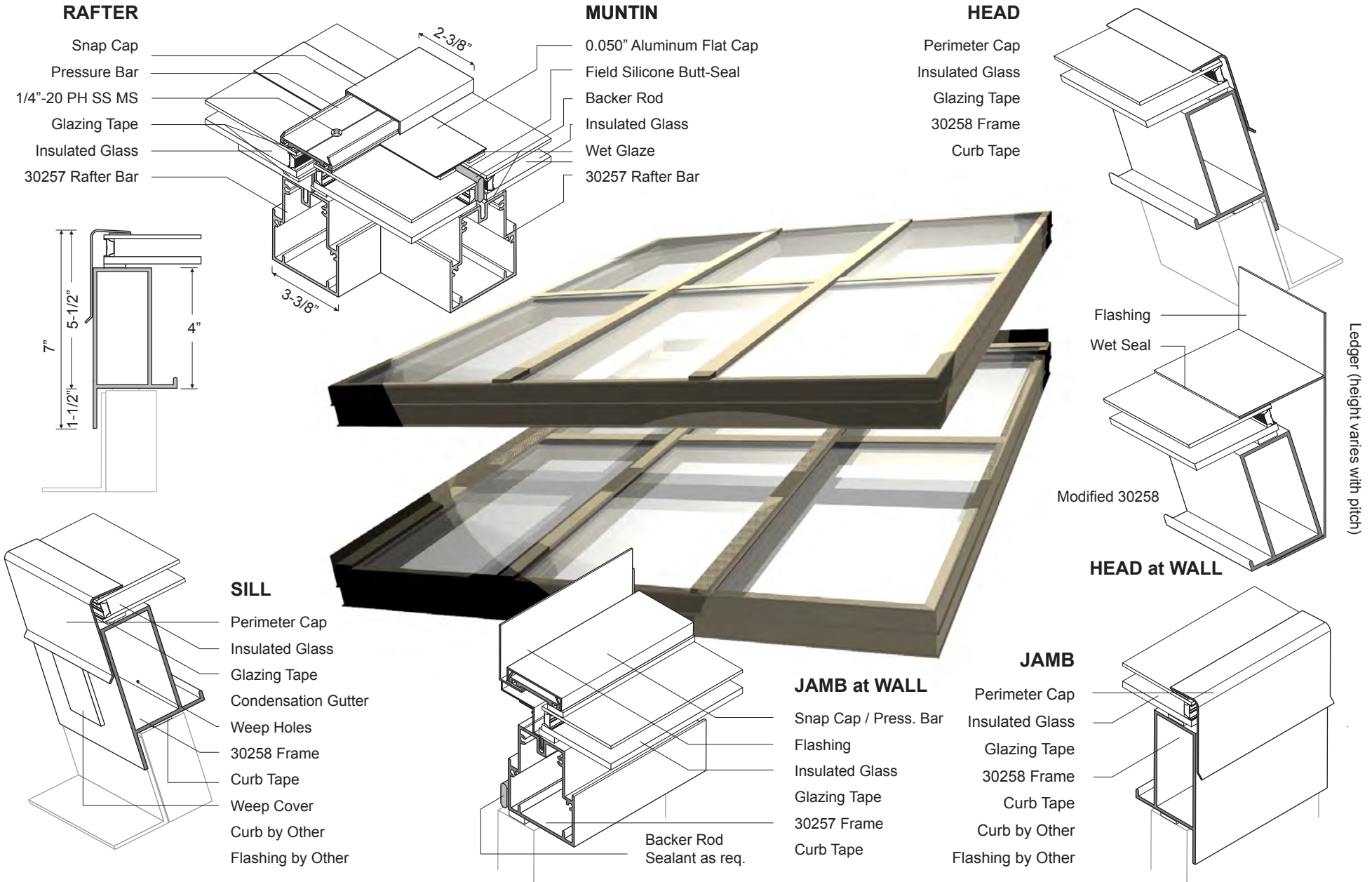


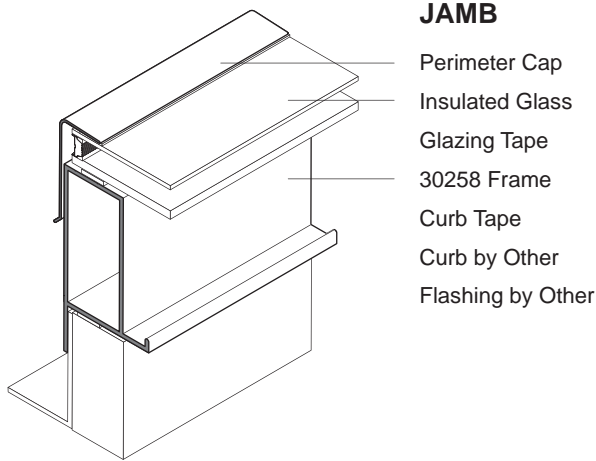
Details shown below are graphical representations only. For accurately scaled and dimensioned details, please visit www.CrystalLiteInc.com.



30258 Heavy Frame
Welded Aluminum Skylight System
STANDARD DETAILS

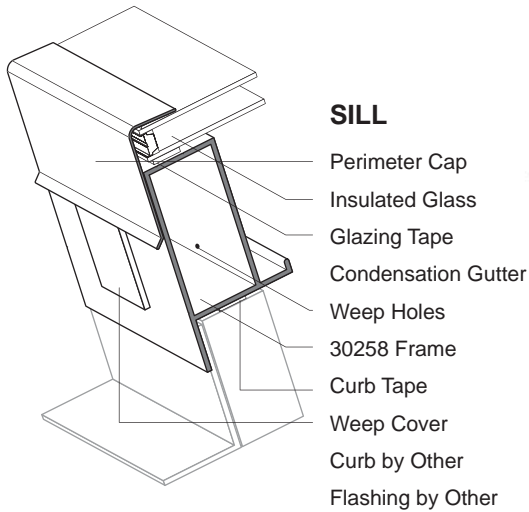
NAMI certified and rated by NFRC for thermal performance. Compliant to International Building Code; structural deflection limited to L/175 per ASTM E 330, air infiltration per ASTM E 283 at 6.24 psf, water penetration per ASTM E 331 at 30 psf.

Details shown below are graphical representations only. For accurately scaled and dimensioned details, please visit www.CrystalLiteInc.com.



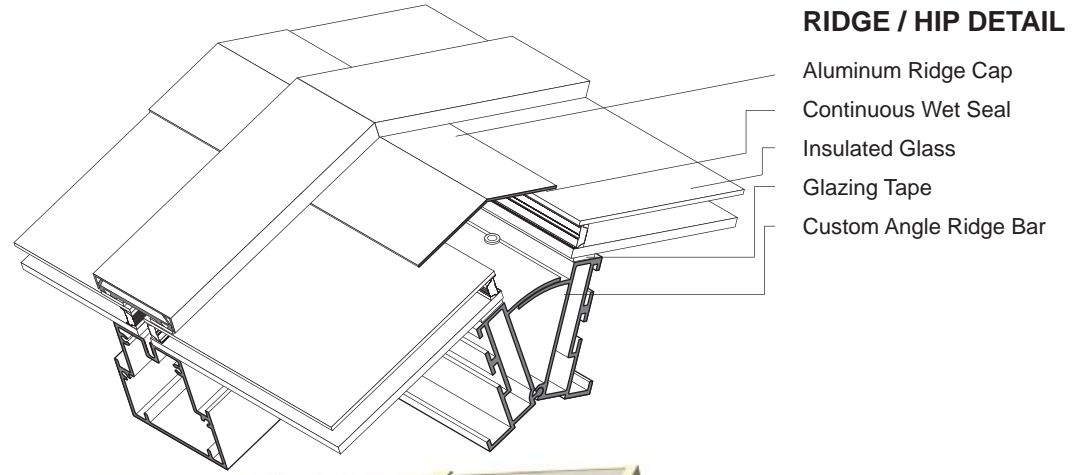
JAMB

- Perimeter Cap
- Insulated Glass
- Glazing Tape
- 30258 Frame
- Curb Tape
- Curb by Other
- Flashing by Other



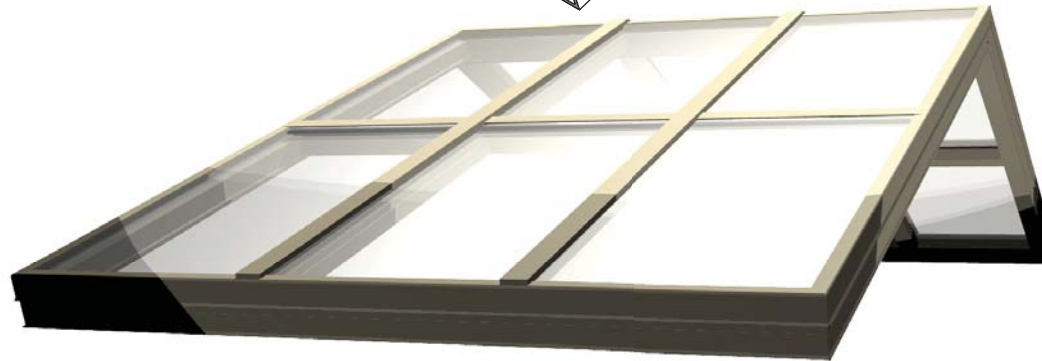
SILL

- Perimeter Cap
- Insulated Glass
- Glazing Tape
- Condensation Gutter
- Weep Holes
- 30258 Frame
- Curb Tape
- Weep Cover
- Curb by Other
- Flashing by Other



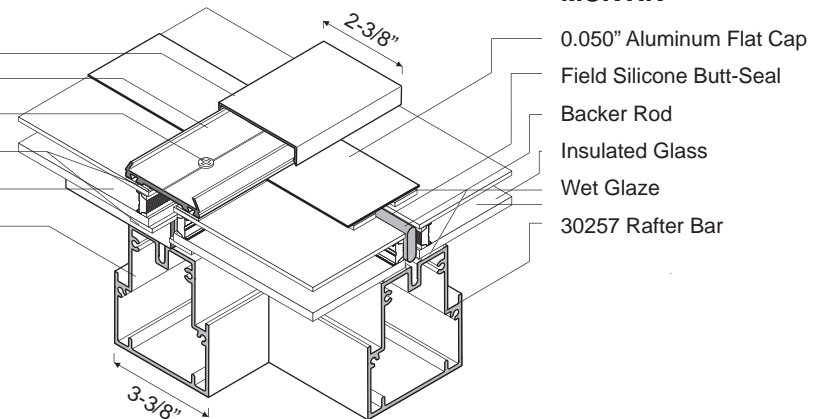
RIDGE / HIP DETAIL

- Aluminum Ridge Cap
- Continuous Wet Seal
- Insulated Glass
- Glazing Tape
- Custom Angle Ridge Bar



RAFTER

- Snap Cap
- Pressure Bar
- 1/4"-20 PH SS MS
- Glazing Tape
- Insulated Glass
- 30257 Rafter Bar



MUNTIN

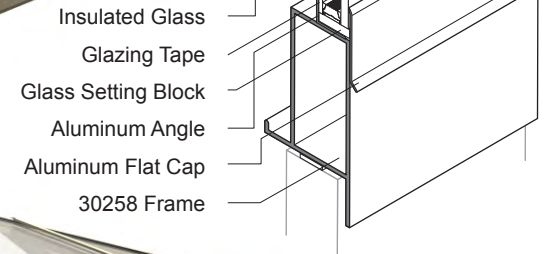
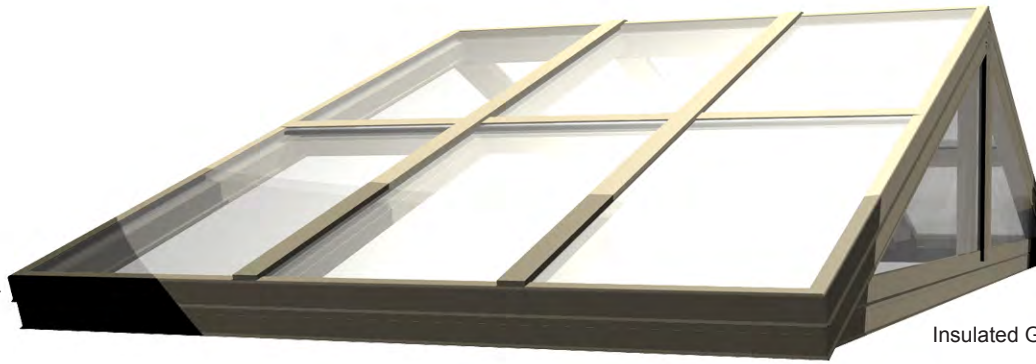
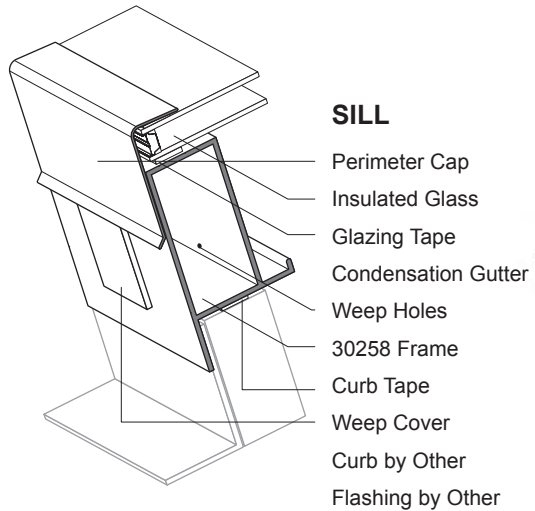
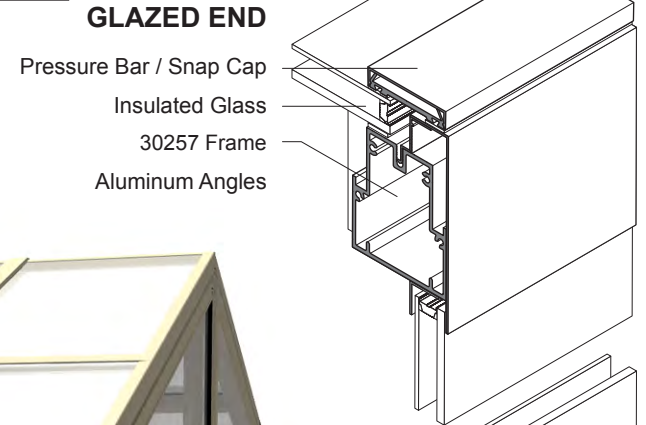
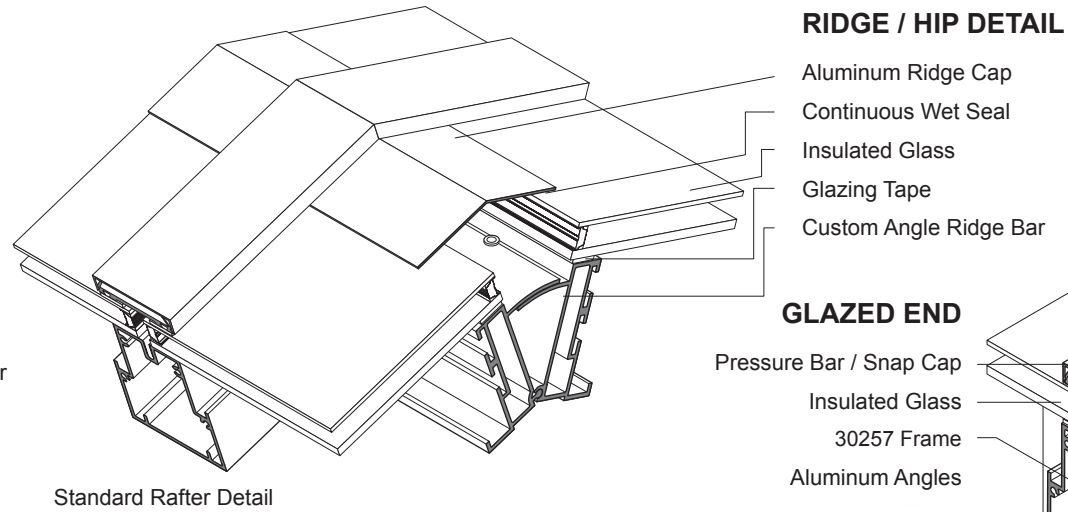
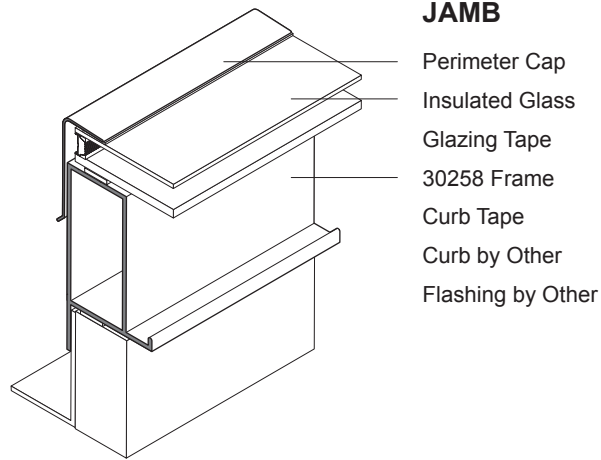
- 0.050" Aluminum Flat Cap
- Field Silicone Butt-Seal
- Backer Rod
- Insulated Glass
- Wet Glaze
- 30257 Rafter Bar



30258 Heavy Frame
Welded Aluminum Skylight System
RIDGE DETAILS

NAMI certified and rated by NFRC for thermal performance. Compliant to International Building Code; structural deflection limited to L/175 per ASTM E 330, air infiltration per ASTM E 283 at 6.24 psf, water penetration per ASTM E 331 at 30 psf.

Details shown below are graphical representations only. For accurately scaled and dimensioned details, please visit www.CrystalLiteInc.com.



30258 Heavy Frame
Welded Aluminum Skylight System

RIDGE DETAILS

NAMI certified and rated by NFRC for thermal performance. Compliant to International Building Code; structural deflection limited to L/175 per ASTM E 330, air infiltration per ASTM E 283 at 6.24 psf, water penetration per ASTM E 331 at 30 psf.