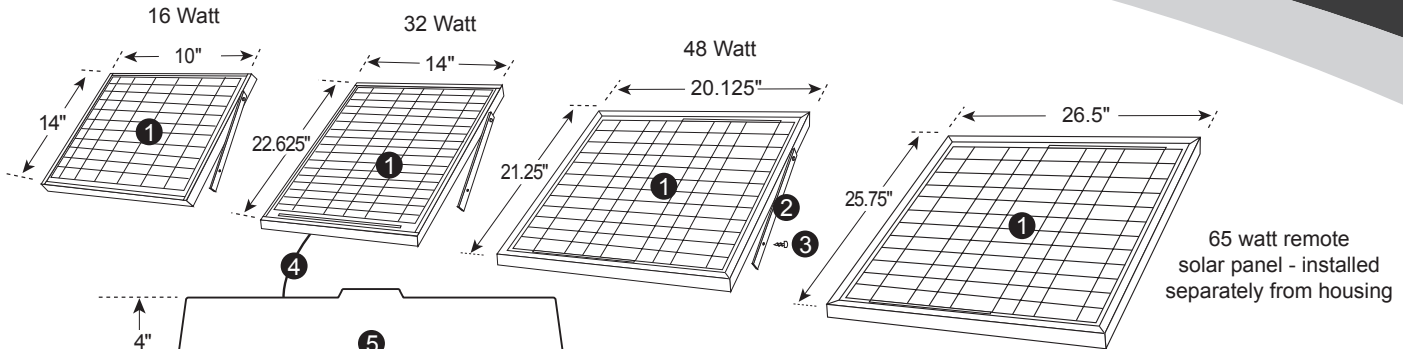


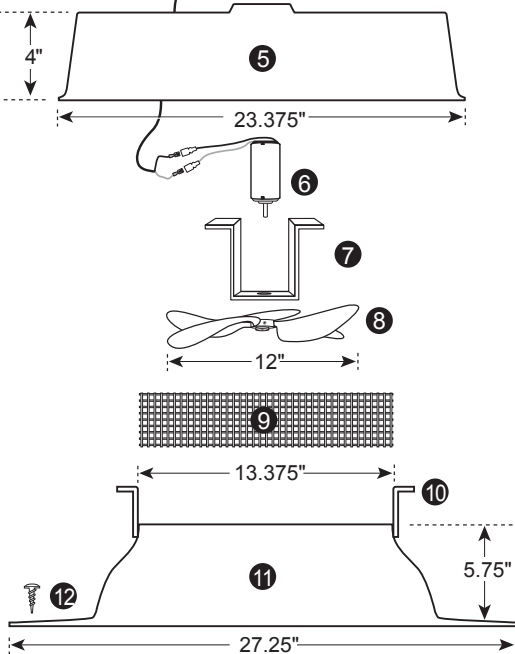
Solar Attic Fan Technical Specifications



NOTE: Exploded view of Solar Attic Fan is for illustrative purposes only. Unit comes fully assembled.

1. Custom Solar Panel (16, 32, 48, or 65 watt available)*
2. (2) Adjustable Solar Panel Bracket
3. (2) #8 x .75" Self-Tapping Screws
4. 18 Gauge Tinned Copper Wire Lead
5. 1100 Series, Commercial Pure Grade Aluminum Hood
6. Custom DC Motor
7. Motor Bracket Assembly
8. Precision Pitch 5 Blade Fan
9. 3.25" x 48" Stainless Steel Wire Mesh
10. (4) Rugged 14 Gauge Hood Support Bracket
11. 1100 Series, Commercial Pure Grade Aluminum Flashing
12. (6) #6 x 1.5" Stainless Steel Phillips Head Screws

*solar panel dimensions may vary slightly



Roof Mount Flashing

Curb Mount Flashing

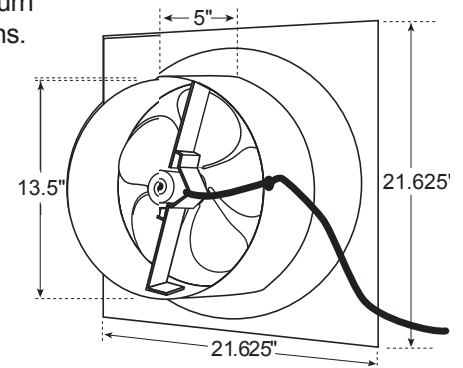


OPTIONAL ACCESSORIES:

Thermal Snap Switch
available to automatically turn off unit during colder months.

SOLAR PANEL VENTING CAPACITY

- 16 watts – up to 1,300 sf
up to 1,184 CFMs
- 32 watts – up to 2,200 sf
up to 1,560 CFMs
- 48 watts – up to 2,825 sf
up to 1,881 CFMs
- 65 watts – up to 3,350 sf
up to 2,105 CFMs



Gable Mounted Fan